

THE MINING RECORD™



Published by: The Mining Record Company
Volume 131, Number 9

THIRTEEN DECADES OF CONTINUOUS INDUSTRY COVERAGE
www.miningrecord.com

September 2020



Denver, Colorado, USA

Metals Watch (09/18/20): Gold \$1,948.90 • Silver \$26.72 • Copper \$3.10 • Lead \$.85 • Zinc \$1.13 • Platinum \$923.00 • Palladium \$2,244.00 • Uranium \$32.00 • Rhodium \$11,100.00 • Coal: \$51.90

BLACK PINE PROPERTY

High-Grade Oxide Gold Intersects At The D-3 Zone

VANCOUVER - Liberty Gold Corp. reported additional reverse circulation (RC) drill results from the 2020 drill program at its Carlin-style Black Pine oxide gold property in southern Idaho. Liberty Gold identified nine regional oxide gold targets over a 7.3 square kilometre (km²) permit area to be tested in 2020. To date, five targets have been tested, resulting in the D-3, F, and D-1 Southeast Extension discoveries, with assays pending from the Southwest Extension and D-1 Northwest Extension areas.

“With three RC drills and one core drill currently operating, we are on track to meet our goal of giving the identified gold system a comprehensive test in 2020, while building resource ounces at the same time,” said Cal Everett, President and CEO. “The first half of the core drilling program is focused on obtaining large diameter core for Phase 3 metallurgical drilling, followed by a test of new targets. It is nice to see our goals being met, and even better that we are finding gold nearly everywhere that we look.”

Liberty Gold’s third high-grade oxide gold discovery (the “D-3 Zone”) continues to deliver multiple thick intervals of oxide gold mineralization. D-3 lies beneath the limit of shallow historical drilling in a stratigraphic unit that is modeled to underlie most of the Black Pine gold system at depth. Drilling is presently focused on infill drilling as well as step-out



Liberty Gold identified nine regional oxide gold targets over a 7.3 square kilometre (“km²”) permit area to be tested in 2020. To date, five targets have been tested, resulting in the D-3, F, and D-1 Southeast Extension discoveries.

drilling under the historic B pit.

High-grade oxide gold was also encountered in the D-1 Southeast Extension area, testing a 400 m-long gap in historical drilling between the historic B and Tallman pits. To date, Liberty Gold has drilled a total of 12 RC holes and one diamond core hole in this target, with additional step-out drilling planned on the basis of these

results. Follow-up drilling around LBP150 yielded an intercept in similar strata approximately 35 m to the north.

Additional drill sites have been constructed in order to continue infill and step-out drilling on these encouraging results.

As new targets are drilled, infill and step out drilling are

carried out where new discoveries are made, as is the case at the D-3 and D-1 Southeast Extension zones. One or more RC drills at any given time is carrying out regional drilling, as part of Liberty Gold’s commitment to a comprehensive test of the 7.3 km² permitted area of the Black Pine gold system in 2020. Two additional targets have been the subject of recent

drilling, including a large area southwest of the historic CD Pit (Southwest Extension), and an area north of the current limit of the D-1 zone (D-1 Northwest Extension). The Southwest Extension contains a large gold-in-soil anomaly, measuring over 1 km² in size, which has never had a drill test. Portions of the holes drilled to date contain decalcified siltstone, breccias and iron oxides, which are indicators of gold mineralization elsewhere at Black Pine. The area north of the D-1 zone, and on either side of the north end of it, contains areas of anomalous gold in surface soil samples, voluminous calcite-cemented breccias and widely-spaced, shallow, historic drill holes, most of which contain oxide gold. Drilling is focused on testing below the limit of the historic drilling along projections of structural features, including the northwest extension of the D-1 zone.

Additional targets that will be tested in the near future include the M Zone in the northeastern portion of the gold system, and the Rangefront Target in the southeastern portion of the gold system. Both areas have been tested in the past with shallow drill holes, often ending in mineralization.

Dated Material — RUSH

News

Grassy Mountain Gold Project economic viability confirmed.....3	Significant increase to the Galena Complex resource.....11
Johnson Tract drill program underway in Alaska.....4	Additional gold property acquired near White Rock property.....13
Drilling progresses at Gold Range, identifying new surface zones.....5	Hughes Silver-Gold Property ongoing drill program.....14
Additional results from the Horsethief Gold Property.....6	Castle Mountain Mine phase one construction completed.....15
High-grade mineralization at the Hasago in Red Lake.....7	Option over the Davis and Paradise Valley claims acquired.....16
First RC drill hole at the Bolo Gold-Silver Project.....9	Exploration update for CK Gold project in Wyoming.....19
Application for drill permits on the Evening Star Property.....10	New outcrop at Whisker Valley and expansion of exploration program.....22

Diamond Core Drilling
Minerals Exploration
Directional Drilling
Geothermal Exploration
Geothermal Drilling
Consulting



Salt Lake City, Utah
Office: 801.446.2400
Cell: 801.310.1628
steve@tonatec.com

www.tonatec.com



PROFESSIONAL & EXPERIENCED CREWS





Grassy Mountain Gold Mine Economic Viability Confirmed

WINNEMUCCA, NV - Paramount Gold Nevada Corp. reported the results of the Feasibility Study (FS) for its Grassy Mountain Gold Project in eastern Oregon. The Study outlines an underground mining operation with exceptional economic viability yielding strong NPV and IRR results, low initial capital and low all-in sustaining costs (AISC) that generate substantial cash-flows over the life of mine.

The base case was conducted using two-year trailing gold and silver prices per ounce of

\$1,472 and \$16.96 respectively. The highlights of the NI 43-101 Technical Report in the base case scenario are as follows: Pre-tax IRR of 27.9% and NPV5% of \$123M which increase significantly to 44.7% and \$238M at \$1,900 gold; After-tax IRR of 26.0% and NPV5% of \$105M which increase significantly to 40.9% and \$195M at \$1,900 gold; Life of mine cash costs of \$5831 and AISC of \$6712 per ounce of gold; Initial CapEx of \$97.5M includes \$10.1M of estimated

contingencies, \$25.6M of sustaining CapEx and \$6.3M closure costs for a 750 tpd mine and milling operation; Initial 8 year mine life producing 362,000 ounces of gold and 425,000 ounces silver; Annual production of 47,000 ounces of gold and 55,000 ounces of silver; Exceptional average gold and silver recoveries of 92.8% and 73.5 % respectively; After-tax payback of 3.1 years; and Total free cash flow of \$165M.

"This study is everything we had hoped for, including impor-

tant improvements over the preliminary feasibility study we completed a little over two years ago. Paramount can now satisfy the remaining permitting requirements identified by the State of Oregon and the Bureau of Land Management in Paramount's recently submitted Consolidated Permit Application and Plan of Operation. We are very close to realizing our goal of building Grassy Mountain into a modern and environmentally friendly mine, leveraging the industry's best practices and technologies," said, Glen Van Treek, President and

COO. "Our focus now is to add resources to extend mine life and generate further economic returns for our shareholders."

Paramount's CEO, Rachel Goldman added, "Since acquiring Grassy Mountain in 2016, the Company has been committed to building a profitable mine with a quick payback. The results of the Feasibility Study confirm our goal is achievable, validating the hard work that the team has dedicated towards advancing Grassy to become Oregon's first gold mine, and giving us a first-mover advantage in the state."

Long Valley Gold Deposit Positive PEA Demonstrates Strong Returns-Compliance

VANCOUVER - KORE Mining Ltd. reported a positive Preliminary Economic Assessment (PEA) for the Company's 100% owned Long Valley Gold Deposit, located in California. The PEA demonstrates Long Valley's potential to generate strong economic returns while being in full compliance with California's stringent operating and reclamation standards. Long Valley has clear upside potential from targets on-strike and lateral to the current modelled oxide mineralization and KORE intends to aggressively explore this untapped potential.

Highlights: Robust economics: US\$ 263 million NPV 5% post-tax with 40% IRR at US\$ 1,600 per ounce gold; 100,000 ounces gold per year over 7 years at AISC of US\$ 732 per ounce; Technically simple: shallow open pit, heap leach with nearby infrastructure; Significant leverage to gold: US\$ 396 million NPV5% at recent spot US\$ 1,900 per ounce gold; Unmodelled silver potential from metallurgical test-work; and Shallow oxide and

sulphide feeder exploration potential to further enhance project.

CEO, Scott Trebilcock, said, "The Long Valley PEA generated an NPV5% of US\$ 396 million at US\$ 1,900 per ounce gold. In addition, KORE has a preliminary economic assessment on its Imperial Project, which generated an NPV5% of US\$ 660 million at US\$ 1,900 per ounce gold. KORE has the unique advantage of having two simple, low-cost heap leach development projects in one Company and can manage capital needs for growth, permitting and construction to maximize shareholder value. The Long Valley PEA is a key milestone towards KORE's becoming a significant North American producer envisioning production of 250,000 ounces of gold a year from our US projects."

Long Valley is located in Mono County California. The Long Valley deposit is an intact epithermal gold deposit with a large 2.5 by 2 kilometer oxide gold footprint.

The Long Valley deposit is an intact low sulphidation

epithermal gold/silver deposit, hosted within a melange of fine to coarse volcanogenic sedimentary lithologies. Mineralization at Long Valley has developed due to a combination of deep-rooted fault structures and a resurgence of rhyolite within an active caldera. The Hilton Creek Fault structure transects and served as a fluid conduit for interaction with the underlying hydrothermal system, while the rhyolite resurgence caused brittle fracturing of sediments and created voids or traps for mineralization and gold deposition. The combination of these factors yields strongly altered kaolin and quartz-hematite zones that are the primary host for gold mineralization.

The Hilton Creek Fault remains underexplored on-strike north and south and several parallel structures have been defined using geophysics, the eastern one hosting some of the current mineral resource and the western one being unexplored. Long Valley is therefore open to new oxide discoveries in all directions.

INDEPENDENT MINING CONSULTANTS, INC.



- Surface and Underground Mine Evaluation
- Exploration Project Development
- Mine Design and Planning
- Production Scheduling and Strategic Planning
- Resource Modeling / Reserve Estimation
- Evaluation of Expansions or Acquisitions

www.imctucson.com

Tel: (520) 294-9861

Mill Man Steel, Inc. The Good Service People

Environmental



*Oil & Gas
Exploration
& Production*



Mining & Minerals



Steel Processing



DENVER, CO
(800) 748-2928

SPOKANE, WA
(800) 688-7337

CASPER, WY
(800) 876-4757

Contact Mill Man Steel for your casing, tubing, pipe and plate requirements

Let our commitment to quality provide your company with value and service.

A Native American Woman Owned Business Enterprise
www.millmansteel.com



Cowin & Company, Inc.
A Leader in Mining Construction since 1924

www.cowin-co.com

Tunnels • Shafts • Declines
Crusher & Belt Installation • Rock Fall Protection
Roof Stabilization • Raisebored Shafts

Phone 205-945-1300 Fax 205-945-1441

GRAYMONT

Serving the mining industry for over 50 years...
Improving our world by responsibly meeting society's needs for quality lime and limestone products.

1.801.716.2634 **Graymont.com**

Drill Program Underway At Johnson Tract Project

VANCOUVER - HighGold Mining Inc. reported assay results for the first two holes of a 15,000 meter drill program currently underway at its flagship Johnson Tract Gold Project in Alaska. Results are reported for drill holes that targeted the lower and northeast side of the JT Deposit. Wide intervals of high-grade mineralization were intersected in both holes.

"HighGold's 2020 drill program has started right where we left off last season with the intersection of exceptional widths of high-grade mineralization," said, President and CEO Darwin Green.

These intersections continue to confirm and expand the mineralized zone and, more importantly, include higher-grade mineralization than the closest neighboring drill holes. The results also support our exploration model which suggests that the lower part of the known JT Deposit, the thickest and highest-grade portion, is open to expansion. One drill rig continues to systematically test this resource expansion target, while two other drill rigs remain focused on surrounding targets including the high-priority NE Offset area."

Drill hole JT20-092 tested an area below the last hole of the 2019 season with the objective of better defining the down-dip extent of the JT Deposit and confirming a sub-zone of very high-grade gold. Hole JT20-092 successfully intersected 74.1 meters grading 17.89 g/t gold, 7.1 g/t silver, 0.48% copper, 7.28% zinc and 1.31% lead (23.8 g/t AuEq; estimated true width 37.1m). The gold grade of this intersection (17.89 g/t) is 79% higher than JT19-90, located approxi-

mately 15 to 20 meters up-dip, which returned 75.1 meters grading 10.01 g/t gold, 6.0 g/t silver, 0.57% copper, 9.36% zinc and 1.11% lead (estimated true width 40.6m). The zone of thick high-grade mineralization is open to expansion and remains a focus of ongoing drilling.

Hole JT20-093 intersected strong base metal grades along the open northeast edge of the JT Deposit, including 43.5 meters grading 1.98% copper, 8.45% zinc and 1.35 g/t gold (9.9 g/t AuEq; estimated true width of 28.0m). This drill intersection expanded both the width and up-dip extent of the mineralized zone in the area that was tested.

A total of 8,000 meters (15 holes) out of a planned minimum 15,000 meters has been completed to date. This includes the completion of eight drill holes at the JT Deposit expansion targets, four drill holes at the NE Offset target, and three drill holes at the North Trend target. Assay results are pending for all but the first two drill holes reported. Assay turnaround times are significantly longer than normal due to a large increase in sample volumes at sample preparation facilities and analytical labs following a rapid industry-wide resurgence in mineral exploration, further compounded by impacts related to government and industry mandated Covid-19 policies.

The Company is working with its commercial laboratory contractors to shorten turnaround times; however, neither the Company nor the labs can give accurate guidance on timing for the receipt of future assay results.

Agreement Signed For Carlin Type Gold Target In Nevada

SCOTTSDALE, AZ - Altair International Corp. has entered into a lease agreement with Oliver Geoservices LLC (OGS), where Altair will acquire all of OGS's exclusive rights for exploration, development and exploitation, related to all relevant mining claims that make up the drill-ready Walker Ridge Gold Property located in Elko County, Nevada.

The Walker Ridge project is located within the Independence

range 60 miles north of Elko, NV and is accessible from Elko via State Highway 225. The Walker Ridge claims sit in a favorable location. Claims cover over 4,500 acres of that contain important geologic strata as well as geochemical and geophysical anomalies, highly indicative of a large buried Carlin Type gold occurrence. Carlin Type gold within these four important structural trends have produced over 90 million ounces.

Publisher/CEO/Chairman: Don E. Howell
President/COO: Dale P. Howell
Editor: Don Harrison, editor@miningrecord.com
Accounting HQ: accounting@miningrecord.com
General Manager HQ: customerservice@miningrecord.com
Subscriptions/Orders: subscriptions@miningrecord.com
Advertising: advertising@miningrecord.com
Indicate representatives name in subject line.

Advertising: Display and Classified Media Kit Available upon request. Email: advertising@miningrecord.com

Subscription Rate
For U.S.: \$55 per year, Canada & Mexico: \$82 per year
Foreign: \$99 per year
Email: subscriptions@miningrecord.com

Published monthly - \$8.00 per copy

Regional Office: Highlands Ranch, CO 80129 USA
Associate Offices: Littleton, CO USA, Gunnison, CO USA
Vancouver, BC Canada, SA-MEX-ARG

THE MINING RECORD

INDUSTRY NEWS™

Volume 131, Number 9

HEADQUARTERS:

Post Office Box 1630
Castle Rock, Colorado 80104 USA
Toll Free: 1-800-441-4748 USA/Canada
Tel: (303) 663-7820 • Fax: (303) 663-7823
www.miningrecord.com • Email: questions@miningrecord.com
Electronic Editorial Submissions: Email: editor@miningrecord.com

Published by: The Mining Record Company - HIE, LLC
©Copyright 2020, All Rights Reserved

Business Hours: Monday - Friday 8:00 a.m. - 5:00 p.m.

Distribution Mail House: Commerce City, CO USA • Publication Printing Facility: Tucson, AZ USA

Products and/or Services advertised in The Mining Record are not endorsed by The Mining Record.

The publisher reserves the right to refuse advertising that is competitive with his publications or which, in the publisher's opinion, does not meet with the format of mining publications.

Postage:
Periodicals Postage Paid in Denver, Colorado and additional mailing offices.



The articles published in The Mining Record are obtained from sources considered reliable, but are not to be construed as a solicitation for investment purposes or to buy or sell stock.

The Mining Record is published monthly by Howell International Enterprises, LLC, with Main Office located in Sedalia, Colorado 80135.

Postmaster: Send address changes to The Mining Record, P.O. Box 1630, Castle Rock, CO 80104 USA.

USPS 593360
ISSN No. 0026-5241



While our company does have registered accounts, our users security is top priority. Our Facebook, Twitter, and Associated Instant Apps pages are designed with no interaction allowed at this point. Consumer Protection Agency reported that scams on social media skyrocketed by 150 percent across Facebook, Twitter and Associated Instant Apps. And the number is likely to continue climbing as more cyber crooks see social as a fruitful target. Our users and clients security will not be compromised with these media outlets at this time. Our web security service for www.miningrecord.com site provides our users information for the industry with peace of mind. www.miningrecord.com is universal with complete availability through desktop, laptop and all mobile devices. It will remain our focal form for online media access to our users and clients.



Pre-Feasibility Study On The San Francisco Mine

TORONTO - Magna Gold Corp. reported the results from the Pre-Feasibility Study (PFS) completed on its 100%-owned San Francisco mine located in Sonora, Mexico.

Arturo Bonillas, President and Chief Executive Officer, said, "We are extremely pleased with the outcome of this study, which validates our view of value and leverage for San Francisco when we acquired the mine earlier this year. This marks an important milestone for Magna as it provides us with a base case operating plan from which we can drive ongoing optimization, growth, and near-term value creation. We see tremendous potential to expand the mineral resource, locally and regionally, and also to increase production scale. In addition to successfully executing the PFS operating plan, our focus will now be on creating additional value through the advancement of a number of identified opportunities."

The PFS contemplates a 16,875 tpd heap leach operation using existing processing capacity of 22,000 tpd. Ore placed on the existing leach pad will be sourced primarily from open pits over an initial mine life of eight years, supplemented by a small portion of underground ore. Magna is currently processing minerals from the La Chicharra pit, in addition to previously stockpiled material, and plans to initiate underground mining at the higher-grade lenses in the south wall of the San Francisco

pit and also resume open pit mining in the San Francisco pit. Over the current mine life to 2028 outlined in the PFS, a total of 47.6 million tonnes at an average grade of 0.50 g/t containing 758 kozs gold will be mined and processed. Given the mine, processing plant and infrastructure are all existing at San Francisco, there are no significant capital investments required.

Magna has identified several near-term resource growth and operational expansion opportunities that have the potential to extend the mine life of San Francisco and further optimize the project parameters and economics outlined in the PFS.

Magna is currently implementing an aggressive exploration strategy in and around the existing open pits and at depth to increase mineral reserves and resources in 2021.

In addition, as part of the operational improvement plan that was implemented shortly after the acquisition of San Francisco, Magna is in the process of completing an extensive metallurgical test program and evaluating a potential upgrade of the crushing and leaching operation in order to increase capacity and improve metallurgical recoveries.

Magna's overall goal is to establish an operation capable of producing around 100,000 ounces per year for 10 years, providing for an approximate 45% increase from production levels outlined in the PFS.

Drilling Progresses At Gold Range Identifying New Surface Au Zones

CALGARY - CANEX Metals Inc. received assay results from surface sampling at the Gold Range Project, Arizona.

Highlights: A new target, the Contact Zone, has been identified over a length of 1000 metres with widths of 50 to 100 metres. Limited chip sampling within this target has returned values of up to 2.76 g/t gold over 4 metres; Chip sampling of road cuts adjacent to the Pit Zone has returned 7.73 g/t gold over 1.3 metres and 0.5 g/t gold over 1 metre indicating bulk mineable potential; and A newly identified granite intrusive at the NW Target contains sheeted quartz veins and has returned up to 1.17 g/t gold showing potential for bulk mineable intrusion related mineralization.

Shane Ebert, President, said, "Fieldwork over the last 2 months has really focused on expanding zones and assessing the bulk mineable potential in and around known high grade vein zones. We are pleased to see new targets being assembled that contain some promising gold grades and good scale potential. The bulk mineable potential around the Pit and Eldorado Targets will be partially tested during the current drilling program, and two drill holes are planned to test the west side of the large Contact Zone target where recent sampling returned 2.76 g/t gold over 4 metres in a zone that remains open in all directions.

The NW Target has characteristics of an Intrusion Related gold system which could provide a valuable exploration model to help focus and guide ongoing exploration."

Surface mapping and sampling at Gold Range has been ongoing since early June and results for 47 rock and 255 soils samples have been received, compiled and interpreted and are presented here.

Forty-seven chip and grab samples were collected mainly evaluating bulk mineable potential, and returned gold values ranging from trace to 7.73 g/t, averaging 0.81 g/t gold. Two hundred and fifty-five soils returned gold values ranging from trace to 267 parts per billion (ppb) averaging 17 ppb.

Mapping and sampling have identified a new target in the southern part of the property named the Contact Zone, which has been traced intermittently for over 1000 metres, with widths of 50 to 100 metres. Chip sampling of limited exposure through the zone has returned results including 2.76 g/t gold over 4 metres, 1.1 g/t gold over 2 metres, and 2.1 g/t gold over 0.8 metres. Several prominent gold in soil anomalies are associated with the zone and new soil results help define the potential extent of the mineralization.

Limited chip sampling of historic road cuts adjacent to the Pit Zone returned 7.73 g/t gold over

1.3 metres and 0.5 g/t gold over 1 metre. The rocks sampled contain minor widely spaced narrow veins and veinlets but evidence of mineralization is subtle. These results indicate potential for bulk minable gold mineralization adjacent to known high-grade veins and suggest systematic chip sampling of exposures surrounding mineralized veins may be warranted to assess bulk minable potential.

At the NW Target a granite dike associated with a prominent magnetic low and strong gold in soil anomalies has been mapped and sampled to evaluate the bulk minable potential of the zone. The granite dike has been traced for 600 metres and a composite grab of altered granite with thin sheeted quartz veinlets returned 1.17 g/t gold and a 2 metre chip sample returned anomalous gold grading 0.3 g/t gold.

A 1675 metre (5500 foot) reverse circulation drill program is currently underway at the Company's Gold Range Property in Arizona.

Six drill holes have been completed and the drill is currently on hole 7. The drill program will test up to 7 different targets with multiple drill holes planned for each target.

All of the targets being tested contain gold mineralization exposed at surface and targets consist of both narrow high grade veins and larger zones that could have the bulk mineable potential.



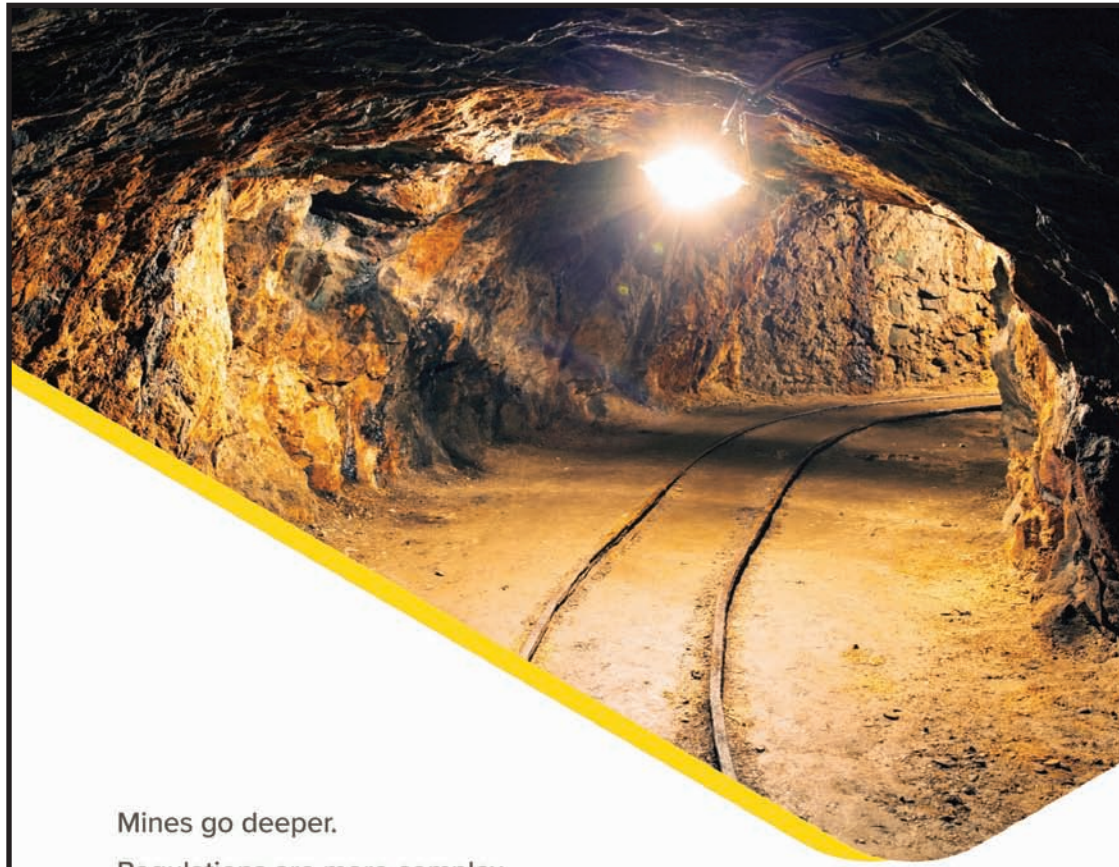
Knight Piesold
CONSULTING

**ADDING VALUE.
DELIVERING RESULTS.**

Mining | Power | Water

www.KnightPiesold.com

Additional Results From The Horsethief Gold Property



Mines go deeper.

Regulations are more complex.

Stakeholders are paying attention.

We're not in mining because it's easy.

We thrive on challenges

golder.com



VANCOUVER - Alianza Minerals Ltd. reported results from holes 4, 5 and 6 of the 10 hole 2020 reverse-circulation (RC) drilling program at the Horsethief Gold Property, Nevada.

Six of ten widely-spaced holes (totalling 2,804 metres), testing five target areas over 3.5 square kilometres have now been reported, with the remaining four holes expected to be released in October.

Gold assays have been received for holes 20HT-004, 005 and 006. These three holes continue to confirm the presence of favorable host stratigraphy, alteration, and/or anomalous gold mineralization at the Horsethief South (20HT-004 and 005) and the Mustang (20HT-006) targets. Hole 20HT-004 was collared on the west flank of the Horsethief South target in what appears now to be a fault-block of limestone and dolostone. Very little alteration or oxidization was noted and no anomalous gold results were returned. Hole 20HT-005 was collared in the northern portion of the Horsethief South target, drilled at -45 degrees to the southeast. The bottom of the hole intersected 85.3 metres of altered and oxidized limestone and dolostone prior to the hole being terminated in a void at 183 metres. The section is anomalous in gold and appeared to be strengthening with depth. The strongest intercept of 3 metres of 0.141 g/t Au occurs within 20 metres of the end of the hole.

Hole 20HT-006 was collared in volcanic rocks at the Mustang Target, which lies at depth where it was postulated that the prospective carbonate rocks may lie unconformably beneath younger volcanic rocks. This hole confirmed this relationship, intersecting limestone at a depth of 233.2 metres. From 289.6 metres to the end of the hole at

367.3 metres (totalling 77.7 metres), anomalous gold values occur within limestone and siltstone that is altered with patchy weak decalcification and silicification, and mineralized with zones of disseminated pyrite and weak oxidation.

The remaining 4 holes explore untested targets in the Thoroughbred (20HT-010), Mustang (20HT-008) and the recently identified Stallion target (20HT-007, 20HT-009). All of the remaining holes intersected altered and oxidized carbonate stratigraphy confirming the continuity of the prospective stratigraphy east of the main carbonate window.

"The first six holes at Horsethief have demonstrated the presence of alteration and mineralization features typical of productive gold mineralizing systems over a broad area," said, Jason Weber, President and CEO. "We are encouraged by the size of the mineralizing system and confirmation of gold mineralization in carbonates beneath younger volcanic cover but have only intersected anomalous gold values. The four remaining holes all tested further, under-evaluated parts of the system particularly at the Stallion and Thoroughbred targets."

Drilling Commences At Porvenir Project

AUSTRALIA - SolGold Regional Exploration Manager, Chris Connell, said, "We are very excited to see commencement of drilling at Target 15 in Porvenir because the hole 1 target is of very high quality. The coincident geophysical and geochemical anomalies over an extensive surface outcrop that returned an open ended ore grade intercept of over 140m at about 0.7% CuEq, is an extraordinary target that we believe potentially represents a large exposed porphyry copper-gold deposit and a second major porphyry discovery within Ecuador. The 13 high-priority regional targets covered by 75 granted tenements represent a significant pipeline of wholly owned quality assets. We look forward to updating the market with mineralisation estimates and core photos as drilling progresses at Porvenir."

Highlights: All scout drilling regulatory approvals have been received for the Porvenir Project in Ecuador's Southern Copper-Gold Province; Drilling commences at Porvenir Project with initial drill hole testing outcropping surface mineralisation that returned an open ended rock-saw channel result of: 147.8m @ 0.69% CuEq (0.43 g/t Au, 0.37% Cu) including, 82.63m @ 1.08% CuEq (0.71 g/t Au, 0.55% Cu) located in Cacharpasa Creek; Drilling operations underway with initial drill hole at current depth of 16.7m, part of a planned 8000m initial drilling program; Mineralisation at Cacharpasa Creek is part of a 1000m-wide, 1700m long northeast trending corridor containing mineralisation styles, size and geometry.

CEO, Nick Mather, said, "SolGold seized first mover advantage in copper gold porphyry exploration in Ecuador in 2014 and is now the dominant tenure holder, most active, well-funded, most qualified and best resourced exploration team."

SETTING THE STANDARD FOR OFF-ROAD

EXPLORATION DRILLING

Foremost Exploration rigs utilize Reverse Circulation technology. The wheeled Prospector W750 and tracked MPD1500 are purpose built for greenfield exploration - they are highly transportable in off-road applications, have low environmental impact, and are flexible and economical to operate. With 37,700 lbs (17,100 kg) pullback and on-board air, the W750 and MPD1500 are well equipped for mineral exploration drilling.

Prospector W750

**NEW IN 2020: AN UPGRADED EXPLORATION DRILL WITH
65,000 LBS (29,500KG) PULLBACK CAPACITY**



MPD 1500

To learn more, visit foremost.ca

or call 1.800.661.9190 (Canada/U.S.A.) 1.403.295.5800 (Worldwide)

FOREMOST



Drill Program Results At Selena Gold-Silver Project

VANCOUVER - Ridgeline Minerals Corp. reported assay results from ten reverse circulation drill holes totaling 1,155 meters (m) completed during the Phase II scout drill program at the Company's Selena Gold-Silver Project in White Pine County, Nevada. Wide-spaced scout drilling successfully tested favourable host rocks at the Chinchilla and Juniper targets, intersecting widespread alteration and oxide gold-silver mineralization in seven of ten holes ranging from surface to approximately 100 meters true vertical depth.

Highlight Drill Results: SE20-014: 29.0m @ 0.38 g/t gold ("Au"), 65.28 g/t silver ("Ag"), or 1.26 g/t gold equivalent (AuEq) - Including 9.1m @ 0.51 g/t Au, 40.83 g/t Ag or 1.06 g/t AuEq starting at 126.5m; SE20-013: 9.1m @ 0.36 g/t Au, 78.28 g/t Ag, or 1.42 g/t AuEq starting at 118.9m; SE20-007: 3.0m @ 0.41 g/t Au, 792.30 g/t Ag, or 11.11 g/t AuEq starting at 135.6m; SE20-006: 21.3m @

0.30 g/t Au, 15.58 g/t Ag, or 0.51 g/t AuEq - Including 6.1m @ 0.52 g/t Au, 35.38 g/t Ag, or 1.00 g/t AuEq starting at 91.4m; and SE20-005: 4.6m @ 1.62 g/t Au, 25.73 g/t Ag or 1.97 g/t AuEq starting at 35.1m.

Mike Harp, Vice President, Exploration, said, "Our 2020 drilling campaign represents the first new drill-holes at Selena in decades with results to-date indicating we are in the early stages of an emerging shallow-oxide, gold-silver discovery.

We are very encouraged by the widespread mineralization intersected in our Phase II program and as our understanding of the geologic model has evolved, we have hit progressively wider and higher-grade mineralized intercepts.

A 1,500m Phase III drill program is now scheduled for October where we will follow-up on positive Phase II drill intercepts as well as test several northwest-trending fault zones between the Chinchilla and Juniper targets which coincide with robust gold-silver and Carlin-Type pathfinder soil anomalies."

High-Grade Mineralization At The Hasaga Project In Red Lake

THUNDER BAY, ON — Premier Gold Mines reported exploration progress on the 25,000 m drilling campaign at the Hasaga Project in Red Lake, Ontario. The Hasaga Project, located contiguous with Pure Gold Mining's Madsen Project (1 million ounces of high-grade probable reserves earmarked for Q4 2020 production). The Epp-C and Epp-D zones represent priority targets to host the next generation of mineral resources.

Highlights from the 2020 exploration campaign include: The Epp-C zone has been extended at least 150 m to the west and 60 m to the east with respectively, 13.0 m of 12.05 g/t Au contained within 38.8 m of 4.93 g/t Au (HMP192), and 4.2 m of 9.23 g/t Au contained within 9.6 m of 4.71 g/t Au (HMP185W2); The Epp-D is still wide open laterally and at depth and highlighted mineralization continues with: 13.8 m of 6.04 g/t Au contained within 45.5 m of 2.11 g/t Au (HMP 186W1), and 16.5 m of 2.52 g/t Au (HMP186); The Hasaga Porphyry, main host of the min-

eralization was intercepted 600 m west of the known zone and returned 13.1 m of 2.49 g/t Au and 4.0 m of 2.25 g/t Au (HMP 191); and The Buffalo mineralization was drilled 300 m east of the known Buffalo zone with visible gold and an overall intercept of 5.9 m of 3.52 g/t Au (HMP193).

Hole HMP192, which hosts an intercept grading 12.05 g/t Au over 13.0 m, is the most important result received as it opens a 300 m gap between the historically mined B-Zone at Hasaga and the Epp-C Zone that warrants additional drilling and potentially has positive implications for the resource estimate planned at end of 2020 program.

This year, the potential extension of the Epp-C was tested toward the Hasaga Mine and hole HMP192, located 200 m east of HMP151 and some 140 m outside the Epp-C footprint, hosted 13.0 m of 12.05 g/t Au contained within 38.8 m of 4.93 g/t Au. Visible gold has been noted in a 1.0 m sample grading 118.00 g/t Au. This trend is still open for expansion

and the balance of the drilling program will focus around the historic Hasaga Mine workings to delineate resources proximal to the historic mine workings.

The western extension of the Epp-C returned 4.2 m of 9.23 g/t Au included within 9.6 m of 4.71 g/t Au (HMP185W2). This hole was 60 m west of HMP 176W3 that returned 39.0 m of 5.69 g/t Au. The Epp-C also remains open at depth.

The West Target area, which corresponds to the mineralized corridor between the Epp-D Zone and the Buffalo Mine, was evaluated with a limited drilling and resampling program that has improved Premier's understanding of the controls on mineralization. The Hasaga porphyry, main host of the Epp zones, was intercepted in HMP191, in a 600 m step out west of the main trend. It returned 13.1 m of 2.49 g/t Au and 4.0 m of 2.25 g/t Au in two distinct intervals. This exciting result opens the area of potential high-grade mineralization to a 1,500 m trend of mineralized Hasaga Porphyry.

NAYLOR PIPE

...Serving The Mining Industry For 95 Years

Need pipe for water, high and low-pressure air, ventilation, tailings or slurry lines, sand and gravel or other product lines? Naylor has the right pipe for your application.

Available in carbon steel and alloys from 4" to 96" and wall thicknesses from 14 gauge to 1/2". Naylor offers the necessary fittings, couplings, fabrications, coatings and linings to provide you with your complete pipe system.

For more information, call or E-mail us for our catalog.



The Industry Leader Since 1925

NAYLOR PIPE COMPANY
1230 East 92nd Street
Chicago, IL 60619
773.721.9400 • Fax: 773.721.9494
E-mail: sales@naylorpipe.com
www.naylorpipe.com

FORWARD THINKING CONTRACTUAL FORMATS
FOCUSED ON ALIGNMENT

SURFACE AND UNDERGROUND ENGINEERING
AND CONSTRUCTION MANAGEMENT

INTEGRATED DESIGN-BUILD SOLUTIONS THAT
DELIVER SAFE PROJECTS ON TIME AND ON BUDGET

ADAPTIVE TECHNICAL
INNOVATIONS

Working together for the success of your project.
Innovation driving opportunity.

 **Cementation**
WE BUILD MINES. SAFELY.



meritconsultants.net



cementation.com



tntinc.com

Mine Development & Construction • Shaft Sinking • Raise Boring • Feasibility & Design Engineering
Contract Mining • Process Facilities Construction • Project & Construction Management • Material Handling



Third Drill Rig Secured For Beartrack-Arnett Project

TORONTO - Revival Gold Inc. reported on exploration and development activities at its Beartrack-Arnett Gold Project located in Lemhi County, Idaho. Following a successful financing in August, Revival Gold doubled its planned drilling program to 10,000 meters with two drill rigs covering four target areas. The Company reported that the expanded drill program is now 25% complete and that a third drill rig will soon be mobilized. Meanwhile, Revival Gold's Preliminary Economic Study (PEA) on the potential restart of heap leach operations at Beartrack-Arnett is progressing through trade-off studies and remains on track for com-

pletion and release by year end.

President and CEO Hugh Agro, said, "Revival Gold's exploration team has made solid progress to-date with this year's drilling at Beartrack-Arnett. The project hosts 10-11 km of favourable structure and the addition of a third drill rig will accelerate the pace of the remaining program this year. We are also encouraged by the progress being made by Wood plc on Revival Gold's heap leach PEA," Agro added.

15 holes totaling approximately 2,450 meters have been completed this season to-date at the Haidee target at Arnett. Drilling to-date amounts to approximately 25% of the

10,000 meters of drilling planned for Beartrack-Arnett in the current program. Assay results from the first batch of drill holes this season are expected to be released by mid-October. A third Boart Longyear core drill rig has been secured and is due to arrive on site in late September. Drilling this year at Beartrack-Arnett will continue, weather and access dependent, through to the end of December. Revival Gold's geophysical contractor, Geofisica TMC, S.A. de C.V., arrived on site in late August. Twenty-one line-kilometers of gradient array induced polarization-resistivity ("IP-RES") geophysical survey has been com-

pleted at Arnett and the geophysical crew has moved on to initiate planned surveys at Beartrack. The program of geologic mapping and sampling at Arnett that commenced in July is expected to be completed by the end of this month. The program has covered approximately 19 square kilometers to date. Over the past year, geologic work on the Arnett property has clarified several important geologic relationships including expanding Revival Gold's understanding of potential host rocks for gold mineralization and clarifying the structural model for the district. The result of this work has been the identi-

fication of new conceptual targets for potential future testing.

The Beartrack-Arnett heap leach PEA is on track for completion and release by year-end. Wood plc, the principal consultant for the study, is completing trade-off studies this month. Trade-off study work has focused on trucking ore from Arnett to a heap leach pad at Beartrack, crusher configurations at Beartrack, mining equipment selection, and grade optimization in the early part of the mine life. Engineering work will now focus on completing capital and operating cost estimates and finalizing the project financial model.

Ongoing Exploration Campaign At The Oko-Aremu Property

TORONTO - G2 Goldfields Inc. reported further exploration results from the ongoing exploration campaign at the 19,200-acre Oko-Aremu property, Guyana. Highlights of the recently received results include: At the Oko Main Zone, diamond drill hole OKD-59 intersected 8.9 g/t Au over a 4-metre core length (estimated true horizontal width of 2.6 m); Trenching 2 km WNW of Oko has intercepted broad zones of disseminated gold mineralization with trench OKTR-5 exposing 95 m @ 1.1 g/t Au.; and Initial trenching at the "Tracy" area 10 km WNW of Oko has encountered significant mineralization with trench TTR2 intersecting 4.8 g/t Au over 16 m.

Additionally, the Company announces the completion of construction of a new camp at Aremu as well as construction of over a dozen drill pads at the 4 km long Aremu Mine Zone.

The Company has completed 63 holes to date totalling 13,971 metres; drilling has outlined gold mineralization in excess of 1.2 kilometer strike length and to vertical depths of up to 350 m.

G2 is actively exploring several gold-in-soil anomalies located west and north west of the Oko Main Zone.

To date, the Company has completed 6 trenches totalling 1057 metres. Significantly, trench OKTR-5 intersected a broad zone of low-grade gold mineralization with a weighted average of 1.1 g/t Au over 95 m. This trench includes a 2-metre section which assayed 31.7 g/t Au. Trench OKTR-4 located 400 m east of OKTR-5 has also encountered numerous zones of mineralization over its 448 m length, including 2 m @ 5.5 g/t Au, 10 m @ 1.0 g/t Au, 8 m @ 1.0 g/t Au and 2 m @ 4.7 g/t Au. Numerous additional anomalies require follow up work.



LEAVITT
ENGINEERING

CIVIL & STRUCTURAL ENGINEERING SERVICES

Exceeding Your Expectations With The Highest Quality Designs.

Licensed In All 50 States and Canada

- Plant and Facilities Design
- Tank, Bin and Vessel Design
- Civil & Structural Engineering
- Welding Engineering & Inspections
- Access Platform, Stairs, Ladders
- Chemical and Material Handling

TALK WITH US TODAY

208.436.0333

LeavittEngineers.com

1324 1st Street S. Nampa

ID 83651







Arnold Machinery Company, your complete line dealer for Hitachi excavators and Sandvik surface blast hold drill products. Serving Elko, NV since 1983.






arnoldmachinery.com

Mining Branches: Elko, Nevada (775) 738-4443 | Salt Lake City, Utah (801) 821-0548
Tucson, Arizona (520) 294-7677 | Phoenix, AZ (602) 414-1900 | Gillette, Wyoming (307) 686-7536



First RC Drill Hole At The Bolo Gold-Silver Project

VANCOUVER - New Placer Dome Gold Corp. reported analytical results for the first reverse circulation (RC) drill hole of the Company's 2020 Bolo Gold-Silver Project. With the completion of the first drill-hole BL20-01, the Company has doubled the vertical gold and silver continuity (on section) versus the historical drilling. In addition to the gold values, the new drill-hole has also reported significant silver results. The Bolo Gold-Silver Project is located in the proven mining area of Nevada.

Hole BL20-01 located in the South Mine Fault Zone, intersected 1.08 grams per tonne (g/t) gold and 26 g/t silver over

Slumber And Sandy Surveys Completed

VANCOUVER - NV Gold Corporation, President & CEO, Peter A. Ball, said, "We are excited to have recently completed geophysical surveys at its Slumber and Sandy Gold Projects. The raw data is currently being fully processed, and the final interpretations for both will be released. It will be a busy fall in with both the Slumber and Sandy Projects currently in the process of being advanced for planned drilled programs in the upcoming months."

38.1 metres; including 1.80 g/t gold over 12.2 metres. The BL20-01 intercept expands gold mineralization approximately 40 metres vertically below 2019 drill hole BL19-04 that intersected 122 metres of 1.2 g/t gold in hole BL19-041, and delivers on one of the key goals of the 2020 Bolo Project drill campaign, which is test Carlin-style gold mineralization at depth in the South Mine Fault Zone where it remains open and untested. To date, 8 RC drill holes totaling 2,301 metres have been drilled as part of the 2020 Bolo Project drill program.

Kris Raffle, P.Geo., and Director, said, "The success of our 2019 Bolo drill campaign has given us the confidence to fully test new targets in 2020 and the interpreted south-dipping continuity of gold-silver mineralization at the South Mine Fault Zone. The results of this initial drill hole, and visual indications of Carlin-style mineralization within additional drill holes for which assays are pending, are encouraging."

RC drilling at Bolo defines a 1.2 kilometer north-south trending corridor of gold-silver mineralization containing the South Mine Fault Zone, Uncle Sam, and Northeast Extension zones. Gold mineralization at Bolo exhibits characteristics of clas-

sic Carlin-type mineralization, including strong subvertical structural control in addition to evidence of gold mineralization extending laterally at low angles

within favorable silty carbonate units. The relatively untested 500 m strike length South Mine Fault-Uncle Sam segment is particularly prospective and is

the focus of New Placer Dome's 2020 exploration designed to prove-out these compelling structural and stratigraphic gold targets.

FIRST Drilling

Over 40 years of experience in underground and surface drilling throughout the USA. First Drilling lowers your operating costs while maintaining the highest level of safety and service.

Contact us and find out how we can optimize your drilling program.

Safety • Innovation • Results

www.firstdrilling.com

ELIMINATE "BRAKE" MAINTENANCE GO OIL SHEAR TECHNOLOGY



It's Different—It's Better—It Saves Money

No more constant replacement of brake pads or disks.

No more constant brake adjustments.

No more slipping, varying torque, or missed stop position.

Unaffected by water, slag, scale, dust, rock or dirt.

Installations include overhead cranes, tension winches, coal loading/unloading, ship loading, rail car dumpers and rail car and barge spotters.

The benefits of Oil Shear Technology

- Totally Enclosed Sealed Design
- 5 to 10 Times Longer Life
- No Adjustment—Ever!
- No Regular Maintenance*
- No Torque Fade
- Higher Cycle Rates
- Quick Response
- Reduced Down Time
- Operational Cost Savings
- Increased Safety

*Annual fluid change recommended for maximum performance and life.

Call 800-829-3244

www.forcecontrol.com

FORCE CONTROL INDUSTRIES, INC.
Fairfield, OHIO USA
Ph: 513-868-0900 Email:

Manufactured in the USA—Used Worldwide—Since 1969





Thomas H Bagan LLC
 Mining Consulting
 P.O. Box 50327
 Sparks, NV 89435 USA
 www.thbagan.com

Thomas H Bagan P.E., MBA, SME RM
 Principal Mining Engineer
 thb@thbagan.com
 mobile: +1 775 742 0425



Application For Drill Permits On The Evening Star Property In Mineral County

VANCOUVER - Sky Gold Corp. is proceeding with a notice level application to the Bureau of Land Management (BLM), Carson City office, for an upcoming drill program on its Evening Star Property, located in Mineral County, Nevada. The Evening Star property is located only 12

kilometers southeast of the town of Hawthorne. The Evening Star property covers two historic, formerly producing mines, the Evening Star mine and the Gold Bug mine.

BLM and County fees and filings have been recently completed over an expanded property of 62 unpatented mineral claims comprising approximately 1,200 acres. The enlarged property was designed to expand the area around new surface showings discovered by the Company in 2018 which have never been drilled: Recent assay results indicate a significant zone of gold silver and copper mineralization discovered through sampling of old workings known as the Golden Bomber and Golden Eagle prospects. The new mineralized target area is designated as the Golden Highlands (GH) zone. Gold values up to 25.9 grams per tonne (g/t Au), silver values up to 318.0 g/t Ag and copper peaks of 6.14 per cent Cu (% Cu) were returned from surface samples over an area of approximately 300 by 200 metres. A total of 10 rock samples were taken from these new locations; and New discovery in a historic area known as the Good Hope No. 2 mine, on the Evening Star property. Recent assay results indicate

a significant zone of gold and silver mineralization hosted in fractured and sheared granodiorite. Gold values up to 20.30 g/t Au, silver values up to 82.4 g/t Ag and copper peaks of 0.19 % Cu were returned from surface samples over a strike length of approximately 500 metres trending north-northwest from the northern location of the Gold Bug target. The surface sampling is preliminary in nature and grab samples are selected samples and are not necessarily representative of mineralization on the property.

The proposed Notice of Intent (NOI) exploration permit with the BLM will cover additional disturbance areas created to establish drill road access and drill sites over the Gold Bug zone and the new discovery targets. The Company, when possible, attempts to drill multiple holes from single drill pads on existing roads to minimize the amount of surface disturbance created by drilling activities.

Mike England, CEO, said, "We are looking forward to reactivating exploration activities and drilling on our Evening Star property. With excellent logistics and the ability to work year-round, it is an excellent complement to our ongoing exploration activities."

WIPI
www.wipi.com

- BOLTS
- ANCHORS
- SCREWS
- FITTINGS
- DRILL BITS
- ELECTRICAL
- CHEMICAL
- SAFTEY
- INDUSTRIAL / HYDRAULIC HOSE

EST. 1968
BATTLE BORN

5355 Louie Lane Reno NV, 89511 • Phone 775-358-9564

CAB®

Hooks, Hangers & Mine Safety Products

Proudly Manufactured in the USA by the Cambria County Assn. for the Blind and Handicapped, Providing Employment for Persons with Disabilities



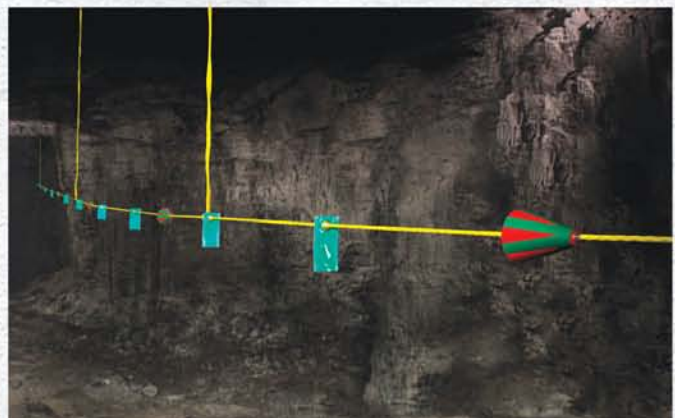
Cost Effective Cable Management in Mines and Tunnels Worldwide

CAB® heavy-duty hangers organize and support large bundles of cable, hose or pipe from roof bolt plates, spads, wire mesh or structure. Quick and easy to install. Improves safety and efficiency underground. Extremely durable, corrosion resistant hangers offered in thousands of styles and sizes, as well as custom configurations. Specify CAB® Products. Visit www.cabproducts.com for more information.

Call USA: 814-536-3531



Strong, durable, extremely corrosion resistant for long life. Manufactured from high tensile spring steel, coated in thick, high dielectric grade, flame retardant PVC Plastisol.



CAB® Leaky Feeder Hangers reduce interference and improve signal strength, while CAB® High Visibility Reflectors and CAB® Lifeline have become industry favorites.



Significant Increase To The Galena Complex Resource

TORONTO - Americas Gold and Silver Corporation reported on a consolidated and attributable basis, estimated contained metal in the proven and probable mineral reserve categories totalled 610,000 ounces of gold, 30.6 million ounces of silver, 134 million pounds of zinc, 129 million pounds of lead and 28 million pounds of copper. 2020 Mineral Reserve and Mineral Resource Update Highlights: Since the June 2019 Mineral Reserve and Resource statement, exploration drilling was focused solely at the Galena Complex as the Company constructed and commissioned Relief Canyon; Drilling to date at the Galena Complex includes approximately 33% of planned exploration drilling based on the Galena Complex Recapitalization Plan; and Based on this initial drilling at the Galena Complex, measured and indicated ("M&I") silver resources on a 100% basis (60% USA/40% Eric Sprott) increased from 27.4 million ounces to 37.3 million ounces and inferred silver resources

increased from 39.0 million ounces to 78.6 million ounces. This represents a 36% and 101% increase, respectively, from previous reported estimates.

"I am pleased to see the initial exploration efforts at the Galena Complex translating into meaningful increases to silver resources in such a short time," said President and CEO, Darren Blasutti. "A significant amount of drilling remains planned for deeper levels of the Galena Complex. I am confident that with this drilling we will see continued increases to silver resources and eventually convert these silver resources to silver reserves. As Relief Canyon ramps up to commercial production and we continue efforts to restart the Cosalá Operations, we expect a renewed focus on exploration efforts at these operations in the future."

As Relief Canyon continues to ramp up towards commercial production and the Company seeks to achieve the restart of mining activities at the Cosalá

Operations, the Company expects to generate meaningful cash flow from its operations and expand the exploration drilling budgets at these two operations, in addition to the continued drilling at the Galena Complex pursuant to the Recapitalization Plan.

At the Galena Complex, the Company's share of M&I silver resources increased from 16.4 million ounces to 22.4 million ounces, a 36% increase compared to last year. M&I lead resources increased by over 55% year over year to 158 million pounds. This growth reflects results from just 33% of the drilling included under the Recapitalization Plan. The Company has recently started drilling deeper extensions of known mineralization at the Galena Complex including further drilling of the 72 Vein, which was a major contributor of ore during its peak silver production years of 2000-2004. In addition to targeting the 72 Vein, exploration will focus on what has been described as the "triple point", where the high-grade 175, 185 and Silver Veins are projected to converge. This area has never been explored and is projected to be below historical workings. Follow-up drilling on the 291 and 360 Vein systems is also planned from the 5500 level and is designed to extend these zones down-dip. The Company expects further increases to M&I resources as the current exploration program continues through the start of 2021.

The Company's share of the inferred silver resources at the Galena Complex increased from

23.4 million ounces to 47.1 million ounces, representing more than a 100% increase from the previously reported estimate. The Company's share of inferred lead resources at the Galena Complex increased by 77% to 476 million pounds from the pre-

viously reported estimate. With the remaining drilling considered under the Recapitalization Plan, the Company is confident that inferred resources will increase, offset by any upgrades in resource classification in next year's Mineral Resource estimate.

PEA For The Pickett Mt. Project

THUNDER BAY, ON - Wolfden Resources Corporation reported positive results of an independent Preliminary Economic Assessment (PEA) for its wholly owned Pickett Mountain high-grade polymetallic project in Northeastern Maine.

Ron Little President and CEO, said, "The PEA underscores our belief that the solid economics of the Pickett Mt. Project and its resource are still largely unrecog-

nized by investors and not reflected in the current market capitalization of the company. The Pickett Mountain deposit represents one of North America's highest-grade undeveloped polymetallic deposits with fundamentals that are indicative of a top quartile project. In addition, the project is extremely well located. The project is expected to generate over 100 full time jobs and add significantly to the local and state economies."

SVL Analytical is a full-service environmental laboratory analyzing 30,000-40,000 samples annually from around the globe.



Specializing in environmental analyses for the mining industry, SVL Analytical also performs water quality analyses of drinking water, surface water (lakes and streams) and waste water. We have the capacity to complete extremely large projects in a timely manner while meeting site characterization and discharge permitting needs with ease.



SVL Analytical, Inc.

**Kellogg Laboratory
Coeur d'Alene Laboratory**

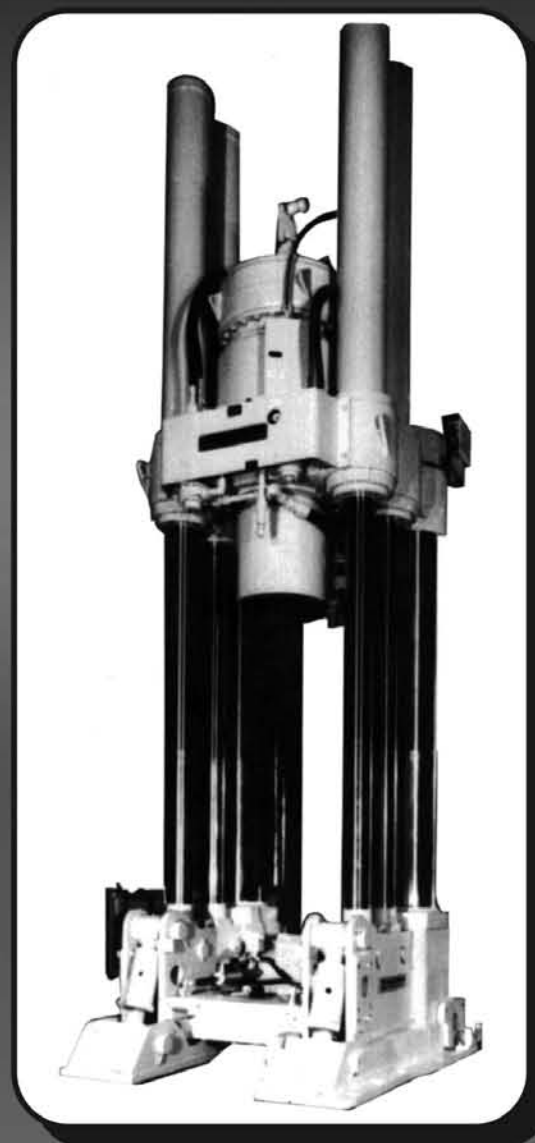
800.597.7144 www.svl.net email: svlinfo@svl.net



RAISEBOR

Contract Raise Boring

**Vent Shafts • Penstocks
Ore Passes • Man-Ways
Lined or Unlined**



For Information Contact:

Raisebor

(505) 334-8700

Fax: (505) 334-8740

email: mhardwick@raisebor.com

www.raisebor.com

301 Industrial Drive

Birmingham, AL 35211-4443

A Division of Cowin & Company Inc.

Additional Drill Program Results At Golden Summit

VANCOUVER - Freegold Ventures Limited reported additional assay results from Freegold's current 10,000 metre drill program on its Golden Summit Project, near Fairbanks, Alaska. GSDL2002, collared 150 metres to the east of GSDL2001 (3.69 g/t over 188 metres), was an independent test of Freegold's new interpretation of the potential for higher grade material to extend to the west of the old Cleary Hill Mine workings.

Hole GSDL2002 intersected 136 metres grading 1.02 g/t Au. A previous hole, (GSDL1201) drilled within the projected vein zone on the same section, averaged 1.3 g/t Au over the last 113

metres (from 209 - 322 m). Aimed at determining if the interpreted Cleary Hill vein system (CVS) may extend to depth within this area, GSDL2002 successfully intersected the projected downdip extension of the zone intercepted in GSDL1201. The zone remains open to depth and along strike.

Drilling in progress is continuing to test for the extension of the CVS to depth and to further refine and define the orientation of the higher-grade mineralization. GSDL2002 - was sited prior to the commencement of the initial drill program in February and therefore prior to receiving the results of GSDL2001.

Hole GSDL 2003 was drilled

to a depth of 587 metres and was collared 50 metres east of GSDL 2001. GSDL 2004 was collared 50 metres west of GSDL2001, was lost at depth of 420 metres. Hole GSDL2005, was collared 100 metres to the north of GSDL2001 and was aimed at testing the updip extension of the zone encountered in GSDL 2001. GSDL2005 was terminated at a depth of 645 metres. Holes GSDL2006 and GSDL 2007 lie 140 metres southwest of GSDL 2001. GSDL2006 was lost at a depth of 76.5 metres. Drilling is currently in progress on GSDL 2007.

Assay results are taking considerably longer owing both to the

COVID19 pandemic as well as the increase in mineral exploration activity. The second rig which was to be added at the end of August is expected to arrive shortly. Assay results will be reported

as they are received. A full exploration camp has been established at Golden Summit in order to limit contact with the community. Drilling is possible on a year-round basis.

The Calvario And Lechuzas Zones Updated Mineral Resource Estimate

TORONTO - Excellon Resources Inc. reported an updated Mineral Resource Estimate (MRE) for the Calvario and Lechuzas Zones on the Evolución Project in Zacatecas, Mexico. Highlights: Updated MRE incorporates 17,120 metres of additional surface drilling completed in

the resource area from June 2018 to December 31, 2019; Indicated resource of 6,407,000 tonnes at 170 g/t silver equivalent ("AgEq") representing 35,091,000 AgEq ounces; Inferred resource of 14,960,000 tonnes at 135 g/t AgEq representing 64,813,000 AgEq ounces; And Expansion drilling being planned to test the strike extension of the mineralized zones and follow up on parallel structures, where grab samples taken during detailed mapping in 2020 returned values of up to 2.30 g/t Au, 203 g/t Ag and 10.4% Pb.

"We discovered the Lechuzas zone adjacent to our Miguel Auza mill in late 2018 and identified a sizeable mineral resource that, when combined with the historic Calvario Vein, is similar to other deposits currently producing in the region," said, Ben Pullinger, SVP Geology. "This MRE represents a sizeable addition to Excellon's overall metal inventory and a foundation to further advance the project, as both Lechuzas and Calvario are open for extension along strike and at depth."

Mineral resource modeling of the Evolución Project incorporates lithological and structural geology modeling and grade interpolation. The model comprises a total of twelve high-grade veins (eight at Calvario and four at Lechuzas), and three low-grade haloes for each zone.

The property includes a conventional grinding and flotation mineral processing facility.



Small Mine Development

— UNDERGROUND —

— MINING — CONTRACTORS —

NV License
#0048016

BUILDING & OPERATING AMERICA'S UNDERGROUND MINES

For more info, visit our website at www.undergroundmining.com
or call 208-338-8880.

HARDROK

Equipment Inc.

Exceptional Service &
Technical Support
Servicing the Mining
and Aggregate
Industries

**SPECIALIZING IN WEAR PARTS AND PLANT OPTIMIZATION
CRUSHING - CONVEYING - SCREENING
& MINERAL RECOVERY**



Ted Zebroski - President

Toll Free: 1-866-HARDROK (1-866-427-3765)

Ph: 775-625-3101 • Fx: 775-625-3141

www.HardRok.com



Eric Dutton
Application Specialist
Cell: 775-842-3111



Additional Gold Property Acquired Near White Rock In Nevada

VANCOUVER - Provenance Gold Corp. has acquired an additional gold property near its existing White Rock property, in Nevada, by acquiring 94 new claims securing the target area. The project is named White Rock West as it has similar geology, a strong gold system, and drill hole assay intervals similar to those at White Rock. Provenance Gold is now in control of 258 claims cov-

ering 5,160 acres or 20.9 square kilometers in the region. The White Rock Gold project was originally optioned from Ely Gold Royalties Inc. Sixty-five short holes (average 376' deep) drilled by several companies since 1993 show a strong bulk-minable gold system with intercepts of 77.4m (240') @ 0.4 gms Au, 72.6m (225') @ 0.53 gms Au, 12.9m (40') @0.80 gms Au, and 29m

(90') @ 0.52 gms. In all there are 36 intercepts averaging over 3.4 gms Au (0.10 opt Au).

The best drill intercept is 3.2m of 5.7 gms Au (0.166 opt Au). The best surface sample is 15.4 gms Au (0.45 opt Au) near hole WR-3 and has no drilling within 500 feet. Most intercepts are oxidized along fractures in three northerly trending structural zones within the Permian Rex Chert for-

mation. Significant targets are untested at depth in underlying calcareous limes and siltstones, and between widely spaced holes at surface.

Planned field activities will include confirmation rock chip sampling, limited mapping, and a fall drilling program with BLM drill permitting currently underway. The drilling program is planned to be 10 to 15 RC holes

estimated to be 2400 meters (7500 ft). This program will confirm previous drilling results by testing both known mineralized structures and potential host rocks adjacent to these structures in the Rex Chert.

Field work planned includes rock chip sampling to confirm past results, limited field mapping and office data compilation for a drilling program next year.



Duff Norton Air Motor Jack Co.
SAFETY, STRENGTH, AND SIMPLICITY JUST GOT EASIER.

COMMITMENT TO SAFETY

NEW! DRIVE ASSIST for Bossman

LIFTING SOLUTIONS

BOSSMAN

SPECIALTY APPLICATIONS

MADE IN USA

406-252-4294 P 2111 4TH Avenue N Get a quote online!
406-252-4812 F Billings, MT 59101 duffnortonairmotorjacks.com



Ongoing Drill Program At The Hughes Silver-Gold Property

TORONTO - Summa Silver Corp. reported an update to the ongoing drill program at the Hughes silver-gold project in Tonopah, NV. To date, ten holes have been completed and two are in progress with two core rigs in full operation. Approximately 5,200 m have been drilled in completed holes. All holes drilled to date have intersected zones of quartz veins, stockworks and breccias.

This is the First-Ever Drilling at

the new Murray Target: This target is located on the western side of the property, where the claim boundary is within 300 m of Blackrock Gold's recently announced discovery in hole TW20-001 which intersected several zones of high-grade silver and gold mineralization. One hole is complete on the Murray Target and at least three additional holes are planned. The First Modern Exploration of the Belmont Mine: Seven holes have been

completed at the Belmont Mine, all of which were widely spaced and targeted different veins. Between 1903 and 1929 the Belmont mine was a major American silver producer. Also the First-Ever Drilling at the Mizpah Extension Mine: Two holes have been completed at the Mizpah Extension Mine targeting up-dip and down-dip extensions of modeled veins that were only mined on a very small scale and had never been previously

drilled. In addition, Follow-Up Drilling at the Ruby Target: One hole is in progress to test the area of hole ET-7, which is located 1.3 km east of the Belmont Mine and in 1989 is reported to have intersected silver and gold mineralization that has not since been pursued.

Galen McNamara, CEO, said, "This drill program represents the first modern, and indeed first ever, drilling on much of the reducing Hughes Property. All holes

drilled so far have intersected zones of quartz veins, stockworks and breccias. Upon receipt of assays, the results will be compiled and reported."

Newly added to the drilling plan, one hole has been completed at the Murray target, one hole is in progress, and at least two more holes are planned. This target area is located approximately 1.5 km west of the Belmont Mine and consists of a series of moderately north dipping vein horizons both between and down-dip from mapped underground development on multiple levels.

Seven holes have been drilled in the vicinity of the Belmont Mine. Each hole targeted strike and/or dip extensions of known veins and were widely spaced. The stacked and steeply dipping orientation of veins in the mine area meant that many of the holes tested multiple targets along their planned lengths.

Two holes have been completed in the area of the Mizpah Extension Mine targeting up- and down-dip of historic mine workings, and interpreted intersections between steeply and shallowly dipping faults. Small scale mining was done in 1914 on only one level in the Mizpah Extension Mine approximately 300 m below surface and 350 m east of the Belmont Mine.

One hole is in progress at the Ruby target to follow-up on hole ET-7, which approximately 1,300 m east of the Belmont mine is reported to have intersected silver and gold mineralization. Of important note, ET-7 was drilled as a vertical hole. Three-dimensional modeling shows that the most prospective veins on the eastern portion of the property are steeply oriented or near vertical and therefore not appropriately tested with vertical drill holes.

E CRS

Engineered Casting Repair Services, Inc

Engineering Affiliate of
METALOCK® CORPORATION


"The Technology Leader in the Crack Repair Industry"

Any Crack...Anywhere...Any Time

Analysis and Repair of Cracked and Eroded Ball and SAG Mill Trunnions, and Heads.

Phone: (225) 791-8900 Fax: (225) 791-8965
email: metalock@eatel.net

You Know It's Cracked - How Do You Fix It?





ELKO, NV
775-738-2929
FAX 775-7381607

RENO, NV
775-284-1207
FAX 775-284-1208

BOISE, ID
208-377-0225
FAX 208-377-9477

IDAHO FALLS, ID
208-522-0180
FAX 208-522-0181

WWW.COMPRESSOR-PUMP.COM



- EXPERT LOCAL FACTORY TRAINED TECHNICIANS
- 24/7 TROUBLE SHOOTING AND REPAIR
- PROACTIVE MAINTENANCE AGREEMENTS TO ASSURE RELIABILITY
- LARGE INVENTORY OF PARTS AND UNITS

COMPRESSOR-PUMP & SERVICE, INC.

Your Total Solution Equipment Provider





Castle Mountain Mine Phase One Construction Completed

VANCOUVER - Equinox Gold Corp. reported that construction of the Phase 1 mine at its Castle Mountain Gold Mine in California is complete, irrigation of the leach pad is underway and first gold pour is expected in Q4-2020.

Equinox Gold commenced construction of the Phase 1 mine at Castle Mountain on October 30, 2019. Construction is complete with no lost-time incidents. Equinox Gold commenced pre-production mining in early June and has stacked more than 1.4 million tonnes of ore on the leach pad to date. Commissioning of the plant is in the final stages and irrigation of the leach pad commenced on September 16, 2020. Loaded carbon from Castle Mountain will be processed in the carbon stripping and smelting plant at the Company's Mesquite Mine, 200 miles south in California, resulting in increased operating efficiencies for both

mines.

Christian Milau, CEO, said, "Castle Mountain will be Equinox Gold's seventh producing gold mine in the Americas and our second operating mine in California. We expect Castle Mountain to be a long-life flagship asset for Equinox Gold, bringing significant benefits to our workforce, shareholders, local communities and San Bernardino County."

The 100%-owned Castle Mountain Phase 1 mine is a fully permitted, run-of-mine heap leach operation processing around 12,700 ore tonnes per day. Phase 1 is expected to produce on average 45,000 ounces of gold annually. The Company is completing a feasibility study for the potential Phase 2 expansion, which is expected to average 200,000 ounces of gold annually. The Phase 2 feasibility study is targeted for completion in Q4-2020.

Lucky Friday Mine Ramp Up To Double Production Of Prior Year

COEUR D'ALENE, ID - Phillips S. Baker, Jr., President and CEO of Hecla Mining Company, reported, "We are very pleased with third quarter operational performance particularly as the mines continue safe practices to manage COVID-19. "Lucky Friday's ramp up is as planned so this year's production should double last year and is set up to potentially double again next year. The higher-than-expected silver grades at Greens Creek have driven silver production higher for the quarter and the annual estimate. Gold production was lower at Casa during the quarter where continued major planned maintenance activities in the mill reduced the processing days.

Our strong production for the quarter is expected to translate into robust cash flows in excess of \$20 million even after repaying our revolver in full and the interest payments on the bonds. We are close to realizing our financial goal of having in excess of \$100

million of cash and cash equivalents on the balance sheet. Finally, if our realized silver price is above \$25 for September, we expect the silver-linked dividend to be paid pursuant to our enhanced dividend policy."

Greens Creek's estimated nine months production has increased due to higher silver grades. The fourth quarter assumes planned grades. Lucky Friday is ramping up as expected so the lower end of the production range has been raised.

San Sebastian mining is expected to be completed in the third quarter with processing concluding in the fourth quarter. Casa Berardi's nine-month estimated production is low because of major planned mill maintenance activities but production in the fourth quarter should increase due to expected high-grade underground production from the East Mine. Nevada exceeded expectations as the developed stopes were mined out.

THYSSEN MINING

local challenges | GLOBAL SOLUTIONS

Thyssen Mining is a full service mining contractor, providing a comprehensive range of contracting services for the mining industry.

As part of the worldwide Thyssen group of companies, Thyssen Mining offers many services to its clients:

- SHAFT SINKING
- MINE DEVELOPMENT & PRODUCTION
- CONTRACT MINING
- MINE CONSTRUCTION & REHABILITATION
- RAISE BORING • GROUTING
- GROUND FREEZING
- PROJECT MANAGEMENT

Thyssen Mining maintains a modern, technologically advanced equipment fleet and a resourceful, well-trained workforce to provide the safest, and most cost effective solutions.

377 Sunshine Lane
Spring Creek, NV
89815

www.thyssenmining.com
info@thyssenmining.com
775-778-0843



granite
USEED
and erosion control

The largest selection and highest quality native seed in the western United States, custom blended to your projects unique specifications.

Utah 801.768.4422
Colorado 720.496.0600

graniteseed.com





MES MINING

MINING & ENVIRONMENTAL SERVICES, LLC
General Manager: Mark Levin, P.E.

UNDERGROUND CONTRACTING

- Rehabilitation and Mine Development
- Contract Mining
- Remote Site Start-ups
- Bulkheading and Grouting for water control
- Serving Western U.S.

CONSULTING SERVICES

- Design / Build Services
- Cost & Alternatives Analysis
- Operational Evaluations
- Safety Reviews
- U.S. and International

(303) 567-4174
www.minenv.com

UNDERGROUND MINING EQUIPMENT RENTALS & SALES

Option Over The Davis And Paradise Valley Claims Acquired

VANCOUVER - Makara Mining Corp. has acquired the right to earn a 60% interest in the Davis and Paradise Valley claim blocks located in Nye County, Nevada, from Almadex Minerals Ltd. The Project encompasses 900 hectares consisting of two contiguous parcels of land, being the Davis claims to the north and the Paradise Valley claims to the south. The Davis claims, comprising 34 claims over 270 hectares, are held pursuant to a mining lease with the State of Nevada. The Paradise Valley claims are comprised of 79 newly staked claims over 630 hectares. The Project is located eight miles southeast of the village of Gabbs, Nevada, and five miles northeast of the closed Paradise Peak mine of FMC Gold, which was a successful gold, silver, mercury deposit, producing a total of 1.6 million ounces of gold and 24.1

million ounces of silver between 1986 and 1994.

J. Duane Poliquin, Chairman of Almadex, said, "We have been accumulating mineral rights in the area of the Project for several years, and with this large cohesive and prospective package now in place we are excited to work with Makara to advance the exploration programs".

The Paradise Peak claims are known to contain mineralization hosted by Oligocene to Miocene andesitic and rhyolitic rocks which are broadly strata bound and dipping gently to the southeast. The Paradise Valley claims cover an area of intense hydrothermal alteration interpreted to represent a high sulphidation gold system similar to that of the closed Paradise Peak mine located just to the west. Potential also exists for porphyry mineralisation which also has been found at the adjacent Paradise Peak area of alteration.

The Davis property is a separate area of hydrothermal alter-

ation hosting low sulphidation epithermal veins on which there has been historic small-scale mining and exploration drilling. The Davis property was explored historically by several operators, including from 1979 to 1982 by USSRam Exploration, which conducted a nine hole drill program at the historic Davis Mine to test for mineralisation beneath the old mine workings. More recently another operator drilled additional holes in the same general area of the previous drilling. The historic drilling data indicates the potential for significant widths and grades in the Davis epithermal vein system.

While this historic drilling is not NI 43-101 compliant and cannot be relied upon, it provides clear exploration focus. For example, one of the deepest drill intercepts in the Davis mine area is reported to have returned an intercept (true width unknown) of 40 feet (12.2 metres) of 0.18 oz/t gold (6.2 g/t gold) and 0.62 oz/t silver (21 g/t silver).

Mine Development

Underground Mine Construction

Mine Rehab & Repair



Harrison Western Construction

Experience | Integrity | Performance

Responsible Natural Resources Development™

T 800.638.8793 | www.harrisonwestern.com

Kincora Awarded NSW Government Co-Funding For The Nyngan Project

VANCOUVER - Kincora Copper Ltd. reported that it has secured a co-funding grant from the Government of New South Wales to drill two porphyry targets at our Nyngan copper-gold project. The Nyngan project is located in the interpreted northern undercover section of the Junee-Narromine Belt of the Macquarie Arc of the Lachlan Fold Belt in NSW, Australia. The Junee-Narromine Belt (Belt) is considered highly prospective for large gold-copper porphyry deposits and/or epithermal gold deposits.

Sam Spring, President & CEO, said, "We thank the Government and Geological Survey of NSW for the financial support to drill two large scale porphyry

copper-gold targets at our Nyngan project, with favourable results in previous drilling 15 years ago not followed up. Together with our Nevertire license, Kincora was an early mover securing a large and strategic position over the most prospective and explorable sections of the undercover continuation of the Junee-Narromine Belt, a region that has had very limited modern porphyry exploration. Recently, there has been a considerable land grab in this section of the Belt, particularly by FMG Resources and Inflection Resources. Successful drill testing of Nyngan, or by FMG and Inflection in neighbouring licenses, will significantly enhance the wider prospectivity of this underexplored section of the Belt. With positive drill results ongoing at our Trundle project, the Company is progressing plans to further systematically advance our district scale project pipeline in the region, with the Fairholme gold project and Nyngan copper-gold project being key priorities."

Kincora secured the Nyngan project via direct application from the NSW Government. The application area was selected based on its stratigraphic-structural setting and favourable results from the last drilling program by Newcrest Mining Limited in 2005 that were not followed up. Four holes were completed in the last drilling program. Three of these intersected basement at depths between 255 metres to 322 metres. Drill hole ACDNY002 recorded bornite-chalcocite-chalcocite-pyrite mineralisation associated with strong hematite alteration in clasts of volcanoclastic conglomerate. The project covers a significant portion of the interpreted northern sector of the Junee-Narromine Volcanic Belt across a greater than 50km strike approximately 225km NNW along trend from the China Molybdenum Group (CMOC) operated Northparkes copper-gold mine and ongoing drilling operations at the Company's Trundle project.

MINING SAMPLE BAGS

MATERIAL OPTIONS:

TYVEK®
BONE VELOUR / MICROPORE
CANVAS

AVAILABLE WITH:

BAR CODES
DRAW STRINGS

SUNSET FEATURES:

SUPERIOR CUSTOMER SERVICE
IN BUSINESS SINCE 1892
HIGHEST QUALITY BAGS
SHORT LEAD TIMES
CUSTOM STOCK PROGRAMS

SEVERAL STOCK SIZES AVAILABLE
WE OFFER CUSTOMIZED BAGS
CALL FOR PRICING / QUOTES

EMAIL:

MIKE@SUNSETMFG.COM

PHONE:

(801) 236-2136

FAX:

(801) 236-2133

MAIL:

1620 SOUTH EMPIRE ROAD
SALT LAKE CITY, UT 84104



SALT LAKE CITY



MADE IN THE USA

American Exploration & Mining Association's

126th Annual Meeting, Exposition & Short Courses

November 29 - December 4, 2020

*Nugget Casino Resort
Sparks, Nevada USA*

The New Normal -

Creating Sustainable Opportunities for Tomorrow

**1st Registration Brochure
&
Call for Papers**



American Exploration &
Mining Association
EST. 1895

AEMA's Annual Meeting is the second largest and longest running annual mining convention in the United States.

**For information on Attending or Exhibiting:
www.miningamerica.org**

16201 E Indiana Ave, Suite 3280, Spokane Valley, WA 99216 • (509) 624-1158

The world's largest collection of mining related bronze sculptures.

ORIGINAL CREATIONS

ESTABLISHED 1980

We are excited to let you know our website has been revamped.

.....
Original Creations, Inc. is family-owned and operated right here in Helper, UT. Since our company opened in 1980, we've treated every customer like they matter. Other companies may offer similar services, but our services come with a personal touch.
.....

Celebrating
40 Years
in business



Your source for mining gifts, mining related artwork, safety awards, retirement gifts, mine rescue awards, and so much more!



original-creations.com

1310 W. 2060 N. • Helper, UT 84526

Phone: (435) 637-0159 • Email: danny@original-creations.com



Exploration Update For The CK Gold Project In Wyoming

ELKO, NV — U.S. Gold Corp. reported an exploration update for the CK Gold Project, located 25 miles west of Cheyenne, Wyoming. The CK Gold Project Prefeasibility Study (PFS) is now well underway with permits in place to conduct the follow-up drilling program. The drilling is, amongst other things, aimed at gathering fresh mineral samples for confirmatory metallurgical tests. Flotation concentrate from sulfide and mixed sulfide sample composites for the project contained 26% copper and 89 g/t gold with little or no

deleterious elements contained for later smelting. Fresh samples should allow flotation recoveries, already reported as averaging 72.5% gold and 81.5% copper across the resources, to be optimized. Prior tests on older samples may well have been negatively affected by oxidation inhibiting flotation recovery. Additionally, better grade and likely coarser gold in the vicinity of the oxide cap, which represents 10% of the total resource, as currently interpreted, are planned to be tested for a gravity recovery response prior to flota-

tion to enhance gold recovery. Process optimization was not a focus of prior metallurgical work supporting the Preliminary Economic Assessment (PEA), in December 2017, and the new fresh samples should allow this work to be carried out.

PEA analysis and supporting information show several aspects about the Copper King resource. First, the economic prospects for the project greatly improved. With the recent gold and copper upward price trends and the absence of substantial inflation, the CK Gold Project is expected

to look very attractive when the PFS is completed.

Secondly, more 137,000 feet of historic drilling has resulted in improved, data driven, interpretations of the mineral inventory which outcrops at surface. A hypothetical open pit properly phased into an annual mine plan potentially will deliver what is likely to become ore at a very low waste to ore ratio. This implies early feed to process facilities with little waste to mine. The result is expected to be quick access to revenue bearing rock at lower mining cost.

Additionally, the cross sections and data suggest that better gold and copper grades are nearer to surface and a feature of the upcoming metallurgical work will be capturing the more of the value through improved copper and gold recoveries.

Thirdly, not only does the property sit on Wyoming State mineral lease land, the surface is also administered by the State. The resource extraction business is a considerable economic driver for the local economy and the state hosts much know-how and talent.

**ROCKY MOUNTAIN
AIR AND LUBRICATION**

Your Authorized Service Center for **ROBINAIR**

RockyMtnAir.com



THE MINING RECORD PROFESSIONAL DIRECTORY

JL International Sales

Wilson Amplifiers, Cellular Antennas,
Accessories & Pelican Cases
Retail/Wholesale

www.wilsonboosters.ca



Ames
Construction, Inc.
801-977-8012

www.amesconstruction.com

We thrive
on challenges



golder.com

GOLDER

MAC'S
MOUNTAIN STATES
BALL MILL CLUTCHES
SALES ~SERVICE~PARTS
PHONE: 866.457.2927
www.macsmountainstates.com

Sacrison Engineering
MINING - GEOLOGICAL - HYDROLOGICAL - ENVIRONMENTAL - MAINTENANCE
Construction Management
Project Management
Engineering
320 Poplar Drive
Elko, NV 89801-4508
Phone: 775-777-7455
Fax: 775-549-8949
Cell: 775-397-2683
sacrison@frontier.net
www.sacrison-engineering.com

INDEPENDENT MINING CONSULTANTS, INC.

Tucson, Arizona
Tel: (520) 294-9861 FAX: (520) 294-9865
imctucson.com

**PR ENGINEERING
LIMITED**

Website: www.prengeering.com
Tel: (905) 579-9721 Fax: (905) 434-6878

QSP Packers, LLC

Quality - Service - Price

Toll-Free: 1-888-5Packers
www.QSPPackers.com

GRAYMONT

3950 South 700 East, Suite 301
Salt Lake City, UT, USA 84107
Phone: (801) 716-2634 Fax: (801) 264-8039
www.graymont.com

FIRST Drilling

2112 Wild Wood Way, Elko, NV 89801
Colorado (970) 249 3501
Nevada (775) 777 9420
info.usa@firstdrilling.com
www.firstdrilling.com

CORRIVEAU J.L. & ASSOC. INC

Land & Mining Surveyors

3D SCANNING & MODELLING BY:
GROUND AND AIRBORNE 3D SCANNING AND MODELING
GYRO AND GPS SERVICES, SALES, RENTALS, UNDERGROUND AND
SURFACE CONTROL, BOUNDARY AND LEGAL SURVEYS, TOPOGRAPHIC
SURVEYS, PHOTOGRAMMETRIC MAPPING AND BOREHOLE
DEVIATION (XYZ) AND BATHYMETRIC SURVEYS

1085 - 3rd Avenue, Val d'Or (Quebec) Canada J9P 1T5 Tel: (819) 825-3702
Fax: (819) 825-2863 email: bureau@corriveaujl.com, website: www.corriveaujl.com

ROCK TOOLS, INC.

P.O. BOX 58196, SALT LAKE CITY, UT 84158, U.S.A.
PHONE (801) 328-3733 FAX (801) 575-7004

TEJADA PHOTOGRAPHY

Specializing in annual report photography
for mining and heavy industrial clients.
Call 303.979.0171

ACZ Laboratories

2773 Downhill Dr
Steamboat Springs, CO 80487
(800) 334-5493 Fax: (970) 879-2216
e-mail sales@acz.com or www.acz.com

GOCHNOUR & ASSOCIATES, INC.
Contact:
Lee "Pat" Gochmour
MINERAL INDUSTRY ENVIRONMENTAL CONSULTANT

P.O. Box 4436
Parker, Colorado 80134
Tel. (720) 851-2900
Fax. (303) 840-9054

Revegetation & Erosion Control



**granite
SEED**

(801) 768-4422
Fax (801) 768-3967
www.graniteseed.com

THE INTERNET CONNECTION DIRECTORY

CONTRACT MINING

Ames Construction
www.amesconstruction.com
info@amesconstruction.com

CONSULTANTS - MINERAL INDUSTRY

Golder Associates
www.golder.com
miningsolutions@golder.com

Independent Mining Consultants
www.imctucson.com
imc@imctucson.com



www.KnightPiesold.com

CRUSHERS - MINING AND AGGREGATE

PR Engineering Ltd.
www.prengeering.com
info@prengeering.com

HEAP LEACH/TAILINGS DAM GEOTECHNICAL/ENVIRONMENTAL

Golder Associates
www.golder.com
miningsolutions@golder.com

HEAVY MINING EQUIPMENT

Wagner Equipment Company
www.wagnerequipment.cat.com

MATERIAL HANDLING SYSTEMS MINE PLANNING • MODELING SOFTWARE

INDEPENDENT MINING CONSULTANTS, INC.

Independent Mining Consultants
www.imctucson.com
imc@imctucson.com

MINING/EXPLORATION COMPANIES

Freeport-McMoRan
www.fcx.com

General Moly
www.generalmoly.com

Newmont Mining Corporation
www.newmont.com

PIPE SYSTEMS

Naylor Pipe Company
www.naylorpipe.com
sales@naylorpipe.com

STEEL FABRICATORS - PIPE

Mill Man Steel, Inc.
www.millmansteel.com
kevin@millmansteel.com

Naylor Pipe Company
www.naylorpipe.com
sales@naylorpipe.com

TUNNELING - RAISEBORING

Cowin & Company, Inc.
www.cowin-co.com
jcowinjr@cowin-co.com

RAISEBOR
www.raisebor.com
rsidwell@raisebor.com

UNDERGROUND CONSTRUCTION AND MAINTENANCE

Harrison Western Construction Corporation
www.harrisonwestern.com
info@harwest.com

USED/NEW HEAVY EQUIPMENT

Arnold Machinery Company
www.arnoldmachinery.com

Cashman Equipment Company
www.cashmanequipment.com

www.miningrecord.com

For your company's listing in the Internet Connection Directory please contact:
The Mining Record at: 800-441-4748 • Ph: 303-663-7820 •
advertising@miningrecord.com
P.O. Box 1630, Castle Rock, Colorado 80104-6130 USA



2021

**THE WORLD'S PREMIER
MINERAL EXPLORATION
& MINING CONVENTION**

March 7 - 10 Metro Toronto Convention Centre, Toronto, Canada

PDAC 2021 SAVE THE DATE: MARCH 7-10

The Prospectors & Developers Association of Canada (PDAC) is the leading voice of the mineral exploration and development community. With over 7,500 members around the world, PDAC's work centres on supporting a competitive, responsible mineral sector. PDAC is known worldwide for its annual PDAC Convention—the premier international event for the industry—that has attracted over 25,000 attendees from 135 countries in recent years.

- BUILDING AN INVESTOR TOOLKIT: SEMINAR
- CAPITAL MARKETS PROGRAM
- CORPORATE PRESENTATION FORUM FOR INVESTORS
- CUTTING EDGE
- EXPLORATION INSIGHTS
- INDIGENOUS PROGRAM
- KEYNOTE PROGRAM
- LETTER WRITER PRESENTATIONS FOR INVESTORS
- PDAC ONE ON ONE MEETING PROGRAM
- PRESENTATION & RECEPTION ROOMS
- SHORT COURSES
- STUDENT & EARLY CAREER PROGRAM
- SUSTAINABILITY PROGRAM
- TECHNICAL PROGRAM

**Prospectors & Developers
Association of Canada**
800-170 University Avenue
Toronto, Ontario M5H 3B3
416 362 1969
info@pdac.ca convention@pdac.ca





New Outcrop At Whisker Valley And Expansion Of Exploration Program

TORONTO - Maritime Resources Corp. has sampled additional high grade gold, silver and copper mineralization in bedrock and float samples within new quartz/sulphide veining at the Whisker Valley Project in the Baie Verte Mining District of Newfoundland and Labrador. The Whisker Valley property is located approximately six kilometres northwest of the Company's high grade Hammerdown Gold Project. Maritime's 2020 field exploration program at Whisker includes additional prospecting, trenching and an initial 5,000 metre diamond drilling program commencing mid-September to test the potential extension of high-grade Gary vein system and test similar gold bearing zones on the property.

Maritime's prospecting team has identified additional mineralized boulders in the boulder field located 1.5 kilometres to the east of the Gary vein system. A total of

69 new boulders have been found in this area with gold values ranging between 0.01 gpt to 75.80 gpt gold, between 0.20 gpt to 80.40 gpt silver and between 0.01% to 3.80% copper (Avg. 9.67 gpt Au, 9.53 gpt Ag and 0.16% Cu). A total of 45 of these samples returned greater than 1.0 gpt gold with 21 samples returning greater than 10 gpt gold.

"The discovery of additional high-grade gold, silver and copper mineralization in bedrock across from the Gary vein system opens up an exciting new chapter for the Company at Whisker Valley," said Garrett Macdonald, President and CEO. "We intend to accelerate our exploration program by mobilizing a diamond drill to the project for an initial 5,000 metre program on key targets."

Maritime's 2019 field mapping and sampling programs identified numerous gold and base metal targets across Whisker. The wide-

spread extent of gold mineralization in soils, grab samples, the large-mineralized boulder field and at the Gary vein system plus the new veins identified in trenching in this year's program are strong indications of an extensive mineralizing system. The 2019 mapping identified broad pervasive alteration along with disseminated sulphides spatially and temporally associated with the host Ordovician granodiorite and alkali porphyry intrusions underlying the property.

The characteristics of the gold mineralization at Whisker indicate that the gold and base metal mineralization along with the alteration may be indicators of a large gold-copper porphyry mineralizing event. Evidence indicates that a preserved mineralized porphyry system may exist which is exposed within an erosional window of the Ordovician granodiorite and associated alkalic intrusions.

Portals Reopen At Center Star Gold Mine In Idaho

WALLACE, ID - Magellan Gold Corporation has successfully reopened the main portal and emergency access portal at the Center Star Gold Mine in Idaho. In August, Magellan received its permit from the U.S. Forest Service allowing the Company to reopen Center Star's portals and posted the required bond. Work on the project began immediately afterwards, including the rehabilitation of roads leading to the mine.

"We are excited to make significant progress in advancing the development work on Center Star Gold Mine," said Mike Lavigne, President. "As planned, we have quickly reopened the mine's portals, giving us access to the underground workings of Center Star. It has been 35 years since exploration or development work was last conducted in this mine. One of our immediate

priorities is to evaluate and identify areas that require additional mine stabilization so that our workers and staff can move safely underground. When safety is confirmed, we can proceed with defining an exploration plan for drilling and sampling. We are confident in the potential for this project given Center Star's historical production."

Located near the Elk City mining district of Idaho, Center Star hosts high-grade gold mineralization that was discovered in the early 1900s, with periodic historic production and development work done under different ownership through the 1980s.

Since acquiring the Center Star project, Magellan acquired additional unpatented mining claims adding 320 acres of land to increase its holding to 620 acres of claims along the Center Star gold trend.

High Au-Ag Values At The Jewel Ridge

VANCOUVER - Golden Lake Exploration Inc. reported additional high gold and silver values from the South Eureka Tunnel target area on the company's keystone Jewel Ridge gold property located near the town of Eureka, Nevada.

Selective rock grab samples taken by the Company's geological team in conjunction with the recent reverse-circulation (RC) drill program have returned the highest gold values to date by the Company on the property.

Sample EU-80 returned 21.70 grams gold per tonne (g/t Au), 123.0 grams silver per tonne (g/t Ag), 0.19 percentage copper (% Cu), 2.55 % lead (Pb), and 1.52 % zinc (Zn).

"While we await assays from the Phase one drill program it is very encouraging to come up with more indications of widespread mineralization throughout the Jewel Ridge property. New areas such as these will be considered and prioritized as targets for our Phase 2 program," said Mike England, CEO.

A total of fifteen (15) rock grab samples were taken by Company geologists in both the "Southwest of Eureka Tunnel" and "Northeast of the Eureka Tunnel" areas. The area northeast of the Eureka Tunnel is located north east of the portal and is an area of intense road building and shallow, historic drill holes. Soil values from the recent geochemical survey returned gold values up to 0.47 g/t Au in the area of the rock samples reported above. Silver and base metals values are markedly lower on samples from this target area and are interpreted to reflect Carlin-style, oxide gold mineralization.

While grab rock samples are not representative of the grade of mineralization of an occurrence or target, they are useful in determining prospectivity and geological features. All samples are analyzed for copper, gold, silver and 31 other elements. The Company also reports that the maiden RC drill program has been completed on the Jewel Ridge property, comprising 10 holes and 5,200 feet (1,585 meters).

SLABBER® IS HERE!

THE FIBER GLASS SCALING BAR

- REPLACEABLE POINTS

Hardened Steel

- LIGHTWEIGHT



- CAUTION YELLOW

5 STANDARD LENGTHS

*Your Safety on
the Job Deserves
SLABBER'S Advantages!*

*Over Four
Decades Of Service!*

With maximum strength-minimum weight. Rock Tools SLABBER provides extra muscle for tackling your toughest scaling jobs:

- Scaling of hazardous banks in pit or quarry
- Barring down back, face or ribs in mine or tunnel
- Kiln brick removal
- Furnace build-up removal
- Right-of-way maintenance along railways
- Trenching in underground utility construction

*Contact us for full
details on SLABBER.®*

(801) 328-3733

ROCK TOOLS, INC.

P.O. BOX 58196

SALT LAKE CITY, UT 84158



SAVE THE DATE

LEARN | DISCOVER | CONNECT



MINE>XCHANGE

2021 SME Annual Conference & EXPO

CMA 123rd NATIONAL WESTERN MINING CONFERENCE

MARCH 1-5, 2021 | VIRTUAL EVENT

Mining's most anticipated technical conference will bring fresh perspectives from around the world on a range of hot topics including COVID recovery, critical minerals, water issues and tailings management – connect directly from your home, office or job site.



Make your plans
to connect at
MINEXCHANGE
this March.

smeannualconference.com | [#MINEXCHANGE21](https://twitter.com/MINEXCHANGE21)

Safety • Quality • Experience • People • Integrity • Competitive

Great Basin Industrial

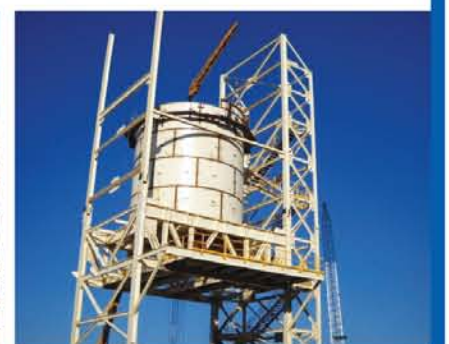


Turnkey Industrial Construction – Storage & Process Tank Erection & Repair

Instrumentation & Electrical – Ducting – Lining - SMP – Bins – Crushers

Conveyors & Material Handling Equipment

801-543-2100 (x106)



myGBI.com