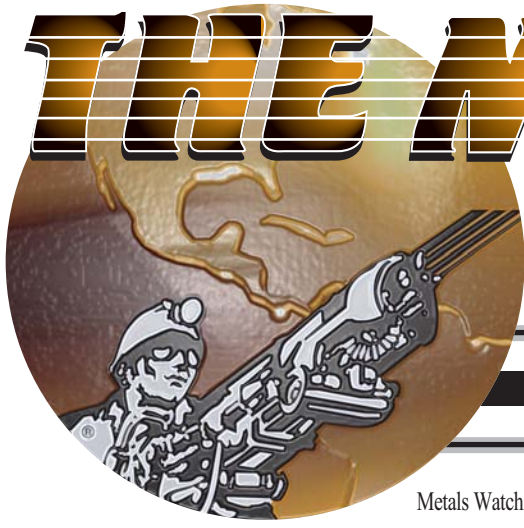


THE MINING RECORD™



Published by: The Mining Record Company
Volume 132, Number 4

THIRTEEN DECADES OF CONTINUOUS INDUSTRY COVERAGE
www.miningrecord.com

April 2021



Denver, Colorado, USA

Metals Watch (04/01/21): Gold \$1,730.30 • Silver \$24.92 • Copper \$3.97 • Lead \$.88 • Zinc \$1.26 • Platinum \$1,207.00 • Palladium \$2,586.00 • Uranium \$30.65 • Rhodium \$28,800.00 • Coal: \$70.00

NEVADA

Gold Rock Project To Continue Growing Beyond Scope

VANCOUVER - Fiore Gold Ltd. reported additional results from the resource expansion and exploration drilling program at its Gold Rock project in Nevada. These latest results from Gold Rock and the surrounding exploration areas show several holes with wide, higher-grade gold intercepts have defined mineralization extending at least 400 m beyond the northern end of the currently defined Gold Rock mineralization; plus a new discovery of oxide gold mineralization at Jasperoid Creek approximately 1.4 km north of the current Gold Rock Preliminary Economic Assessment (PEA) pits.

These outstanding drill results show mineralization remains open particularly to the north, supporting our belief that Gold Rock will continue to grow beyond the scope of the project outlined in the most recent PEA.

Highlights from the seventeen holes reported here include: 30.5 m of 0.79 g/t gold in hole GR20-091 from the planned South Pit area; 18.3 m of 0.96 g/t gold in hole GR20-102 from the Jasperoid Creek target; 42.7 m of 1.17 g/t gold in hole GR20-110 north of the planned North Pit; 18.3 m of 0.99 g/t gold in hole GR21-001 north of the planned North Pit; and 45.7 m of 2.01 g/t gold in hole GR21-002 north of the planned North Pit.

The northern extension of mineralization at Gold Rock can be seen in section 1 and section 2 where holes GR20-110, GR21-001, GR21-002 and GR21-003 each intersected mineralized and silicified Joanna limestone well beyond the northern margins of



the currently proposed open pit. The intercept in GR21-002 is particularly significant with 45.7 m of 2.01 g/t gold, one of the highest-grade assays encountered to date on the project.

Section 3 shows results from three holes at the Jasperoid Creek target, located approximately 1.4 km north of the PEA north pit. This is an area with very little previous drilling but with highly anomalous gold values in surface samples. The prospective Joanna limestone and Pilot shale horizons outcrop at surface in the area, suggesting mineralization may be relatively shallow. Hole GR20-102 intercepted 18.3 m of 0.96 g/t gold, confirming that this target merits significant follow-up drilling.

Tim Warman, CEO, said, "The holes to the north of the North Pit shell include some of the highest-grade intercepts we've seen at Gold Rock and highlight a very promising area that we'll return to with further drilling. To date we've completed all the planned HQ core holes and about 75% of the planned RC holes that were aimed at expanding the Gold Rock resource ahead of the Feasibility Study. We currently have gold assays in hand for all of the RC holes completed to date and are incorporating these results in an interim, in-house resource estimate that will help measure our progress and identify areas for

further drilling with the remaining 25% of the planned RC holes. Results for most of the 20 HQ core holes, representing 4,667 m of drilling, are still pending although the first two holes are included. We're also pleased with the results from the Jasperoid Creek target approximately 1.4 kilometres north of Gold Rock. This is an area that has seen minimal drilling, and which highlights the prospectivity of the entire

Gold Rock belt, a zone of gold and pathfinder element anomalies that extends for over 15 km north and south of Gold Rock."

Work on the FS is progressing well although assay turnaround times for drill samples have been significantly longer than normal due to the impacts of COVID-19 at the assay laboratories. These delays have impacted the original schedule for the RC drilling program and in turn the overall

Feasibility Study, which is now expected to be completed in the latter part of calendar Q1 of 2022. The delay in completing the FS is not expected to impact our proposed timeline for putting Gold Rock into production by early 2024.

Gold Rock, located approximately 8 miles southeast of Pan. It is federally permitted, has 30% higher grade than Pan and having recently completed a positive PEA is now progressing to Feasibility Study expected mid-2021.

Expected gold ounce production at Gold Rock, in combination with Pan, would organically bring Fiore's production in Nevada over 100,000 ounces.

The PEA provides an updated mineral resource estimate and a base case assessment of developing the Project as a satellite open pit operation that will share significant infrastructure and management with the adjacent Pan Mine. The PEA also identifies a considerable number of opportunities to enhance the project economics as Gold Rock advances to the Feasibility stage by drilling to increase the mineral resource, further metallurgical testing aimed at improving recoveries, and geotechnical drilling aimed at reducing the stripping ratio.

Fiore holds the Gold Rock Project through its wholly-owned subsidiary, GRP Gold Rock, LLC.

Dated Material — RUSH

News

Recent 30 hole program at the CK Gold Project.....	3
Exploration update on the Lighthouse tenement.....	4
High-grade intersections from the Hughes Property.....	5
Gold Springs project six drill holes completed.....	6
Purchase agreement on Santo Domingo.....	6
Approval received to drill at Secret Pass Gold Project.....	7
Gold and silver intercepts from the Silver Cloud project.....	9
Maiden drilling program at Happy Valley Gold Prospect.....	9
Innovative project at the Golden Sunlight Mine.....	11
Mother Lode deposit central intrusive drilling.....	13
Update on program at the Rivard Property.....	15
Anomalous gold values from first and second veins.....	16

EXPLORE EVERY LEVEL OF MINING



2021
MINEXPO
INTERNATIONAL
SEPTEMBER 13-15, 2021
LAS VEGAS, NEVADA, USA

www.minexpo.com

SPONSORED BY



MINExpo INTERNATIONAL® 2020 is Rescheduled to September 13-15, 2021.

The National Mining Association (NMA), the sponsor of MINExpo INTERNATIONAL® 2020 is excited to announce that the 2020 show has been rescheduled to September 13-15, 2021, at the Las Vegas Convention Center, Las Vegas, NV, USA.

Our highest priority is the health, well-being and safety of exhibitors, attendees, stakeholders and their respective families and colleagues, as well as our event partners in Las Vegas. Accordingly, we will develop and institute protocols to ensure that the global mining community is able to meet safely and hold an exciting, effective event in September 2021. We are committed to regular communications with exhibitors and attendees regarding the preparation and holding of MINExpo INTERNATIONAL® 2021.

Thank you for your cooperation and patience as we worked through the complicated rescheduling process, and for your continued engagement and participation in MINExpo INTERNATIONAL®.

Exhibitors in MINExpo INTERNATIONAL® 2020 were to receive an email on September 3, 2020 outlining the options available to those exhibitors regarding participation in the rescheduled MINExpo INTERNATIONAL® 2021. Every exhibitor was to respond by November 23, 2020. If you did not receive an email, please contact Show Management at minexpo@heexpo.com.

MINEexpo INTERNATIONAL® 2021 registration, housing information as well as updated information for exhibitor planning will be posted in early 2021.

MINEexpo INTERNATIONAL® is sponsored by the National Mining Association

NMA is the only national trade association that represents the interests of mining before Congress, the administration, federal agencies, the judiciary and the media. NMA provides a clear voice for U.S. mining. nma.org



Development/Exploration Recent 30 Hole Program At The CK Gold Project

ELKO, NV - U.S. Gold Corp. announced additional drill results from its recent 30-hole drilling programme for its CK Gold Project, an advanced stage gold and copper exploration and development project located just outside of Cheyenne, Wyoming.

Highlights: Drill results highlighted by CK20-03c, returning 182.1 m of continuous mineralisation grading 2.065 g/t gold equivalent; Preliminary evaluation of drill results suggest an expected slight increase in overall gold grades relative to predicted grades in the 2017 MDA preliminary economic assessment (PEA) resource estimate; and Geologic modelling, resource estimation, geotechnical and hydrological modelling, preliminary mine planning and metallurgical work are all advancing well and are currently on schedule for pre-feasibility study (PFS) completion by the end of

second quarter of 2021.

George Bee, President and CEO, said, "We are presently on track to complete the CK Gold Project PFS by mid-year. By design, we have gone well beyond what would normally be necessary for a PFS so that we can move on to evaluate the project at the feasibility study (FS) level by the end of the year, having gathered any supplemental data necessary from the project site during the 2020 summer field season.

Project environmental baseline monitoring continues, having started last September with the objective of being in a position to submit a permit application to the State of Wyoming once a development decision has been made post FS evaluation. While a development decision is contingent on many factors, we are encouraged by what we have seen."

Solar Technology To Be Implemented At The Boron Operation In California

LONDON - Rio Tinto reported that "Under a Memorandum of Understanding" (MOU), Heliogen will deploy its artificial intelligence (AI)-powered technology at the Boron operation, where it will use heat from the sun to generate and store carbon-free energy to power the mine's industrial processes. The two companies will begin detailed planning and securing government permits for the project, with the aim of starting operations from 2022.

The companies will also use the Boron installation to begin exploring the potential for deployments of Heliogen's technology at Rio Tinto's other operations around the world to supply process heat, which accounted for 14% of Scope 1 & 2 emissions from the group's managed operations in 2020.

Heliogen's high-temperature solar technology is designed to cost-effectively replace fossil fuels with sunlight for a range of industrial processes, includ-

ing those used in mining. At Rio Tinto's Boron mine, the company's proprietary technology will use AI to control a network of mirrors that concentrate sunlight to capture energy used to make steam. Heliogen's system will also store the captured energy in the form of heat, allowing it to power nighttime operations and providing the same uninterrupted energy stream offered by legacy fuels.

The Boron operation mines and refines borates into products ranging from fertilizers to construction materials and is producing lithium carbonate from a demonstration plant. The site currently generates steam using a natural gas cogeneration plant and natural gas fired boilers. Heliogen's installation will supplement these energy sources by generating up to 35 000 pounds per hour of steam to power operations, with the potential to reduce carbon emissions at the Boron site by around 7% - equivalent to taking more than 5000 cars off the

road. Rio Tinto will also be assessing the potential for larger scale use of the Heliogen technology at Boron to reduce the site's carbon footprint by up to 24%.

Chief Executive Jakob Stausholm said, "This partnership with Heliogen has the potential to significantly reduce our emissions at Boron by using this groundbreaking solar technology, and we look forward to exploring opportunities across our global portfolio.

Addressing climate change effectively will require businesses, governments and society to work together through partnerships like this one, to explore innovative new solutions throughout the entire value chain. Our work with Heliogen is part of Rio Tinto's commitment to spend approximately US\$1 billion on emissions reduction initiatives through to 2025 and our commitment to work with world-leading technology providers to achieve this goal."

NAYLOR PIPE

*...Serving
The Mining
Industry
For
95 Years*

Need pipe for water, high and low-pressure air, ventilation, tailings or slurry lines, sand and gravel or other product lines? Naylor has the right pipe for your application.

Available in carbon steel and alloys from 4" to 96" and wall thicknesses from 14 gauge to 1/2". Naylor offers the necessary fittings, couplings, fabrications, coatings and linings to provide you with your complete pipe system.

*For more information,
call or E-mail us for
our catalog.*



The
Industry
Leader
Since 1925

NAYLOR PIPE COMPANY
1230 East 92nd Street
Chicago, IL 60619
773.721.9400 • Fax: 773.721.9494
E-mail: sales@naylorpipe.com
www.naylorpipe.com

DEVELOPING YOUR UNDERGROUND GOALS.

Atkinson Construction offers a comprehensive range of project development and construction services for the mining industry.

Our portfolio includes extensive experience in underground development, production mining, site preparation, and management of operations.

ATKINSON
CONSTRUCTION

Atkinson Is Mining.

350 Indiana Street,
Suite 600
Golden, Colorado 80401
Ph: 303.985.1660
Fx: 303.985.1449
www.atkn.com

B u i l d S t r o n g . B u i l d S m a r t . B u i l d S a f e .






Cowin & Company, Inc.
A Leader in Mining Construction since 1924

www.cowin-co.com

Tunnels • Shafts • Declines
Crusher & Belt Installation • Rock Fall Protection
Roof Stabilization • Raisebored Shafts

Phone 205-945-1300 Fax 205-945-1441



Mines go deeper.

Regulations are more complex.

Stakeholders are paying attention.

We're not in mining because it's easy.

**We thrive
on challenges**

golder.com



Exploration Update On The Lighthouse Tenement

LONDON - Rockfire Resources plc reported an exploration update on its Lighthouse tenement in North Queensland, Australia. David Price, CEO, said, "The receipt of multiple, highly encouraging rock sample results from Bell Rock, including one sample of 9.9 g/t Au and 21 g/t Ag is an exciting advancement of the prospect. The target remains open to the east and west and extension of the soil grid towards the northeast has recently been completed. Results are awaited from this soil sampling work. A new copper prospect within the Lighthouse tenement, called Otway, was identified from structural interpretation by Rockfire's geologists. This prospect lies approximately 4.5 km northwest of Plateau and has anomalous copper in historical stream sediment sample results. During Rockfire's first exploration visit to conduct mapping and sampling, one rock sample returned 0.25% copper and a highly unexpected result of 0.28% cobalt. Three other rock samples returned elevated copper above 300 ppm Cu. Further work is needed to understand the geology of this early-stage prospect. Rockfire is rapidly advancing its exploration at the Lighthouse tenement and results from our field season will be announced as work progresses."

At the Bell Rock Gold Prospect, 10 rock chip samples taken

from Bell Rock (3.5 km south-east of Plateau) have returned high-grade gold results, including 9.9 g/t, 5.2 g/t, 5 g/t and 4.1 g/t gold (Au). Previous sampling by Rockfire in May 2020 returned gold-in-rock results up to 23.4 g/t Au and the recent sampling has extended this anomalism by a further 100 m in length, resulting in a total target length of 350 m. Soil sampling has since been completed to extend the anomalism towards the northeast and assay results are pending. High-resolution ground magnetics are currently underway at Bell Rock to highlight faults and other structures and to define drilling targets.

Otway Copper Prospect reported 10 rock chip samples from a new copper prospect, Otway, which lies approximately 4.5 km northwest of Plateau, have returned highly anomalous results, including 0.25% copper (Cu) and 0.28% cobalt (Co). One rock sample has an elevated nickel value of 817 ppm nickel (Ni), whilst two other rock samples contain nickel above 100 ppm Ni. There is an early suggestion that the mineralising system could potentially be a Cu, Ni, Co target, however further work is required to confirm this concept. Future work planned at Otway will include soil sampling to determine the extent of the mineralisation away from the mapped rock outcrops.

NMA Statement On U.S. Infrastructure Initiatives

WASHINGTON, D.C. – The National Mining Association (NMA) released the following statement on President Joe Biden's infrastructure and jobs plan.

"As Congress begins to address the President's plan, any infrastructure push aimed at bringing stability and growth to our economy and strengthening our supply chains would be well served to ensure those efforts are supplied with American-mined materials," said Rich Nolan, NMA President and CEO. "From highways to bridges, water systems to broadband, electricity grids and charging networks – America's infrastructure projects begin with mining. Despite being home to some of the world's richest mineral reserves and abundant supplies of steelmaking metallurgical

coal, we continue to source the raw materials required for America's infrastructure and manufacturing from other countries. If policymakers want to create high-paying jobs and support economic security while reshoring the nation's industrial base, made-in-America infrastructure should begin with American mining."

Mining and the economy: Number of direct mining jobs: 464,000; Number of indirect jobs generated by mining: 801,000; Average annual salary for a U.S. miner: \$81,000; and Import dependence: Despite being home to more than \$6.2 trillion in mineral reserves, the U.S. currently is 100 percent reliant on imports for 17 key mineral commodities and more than 50 percent import reliant for another 29.

Publisher/CEO/Chairman: Don E. Howell
President/COO: Dale P. Howell
Editor: Don Harrison, editor@miningrecord.com
Accounting HQ: accounting@miningrecord.com
General Manager HQ: customerservice@miningrecord.com
Subscriptions/Orders: subscriptions@miningrecord.com
Advertising: advertising@miningrecord.com
Indicate representatives name in subject line.

Advertising: Display and Classified Media Kit Available upon request. Email: advertising@miningrecord.com

Subscription Rate
For U.S.: \$55 per year, Canada & Mexico: \$82 per year
Foreign: \$99 per year
Email: subscriptions@miningrecord.com

Published monthly - \$8.00 per copy

Regional Office: Highlands Ranch, CO 80129 USA
Associate Offices: Littleton, CO USA, Gunnison, CO USA
Vancouver, BC Canada, SA-MEX-ARG

THE MINING RECORD

INDUSTRY NEWS™

Volume 132, Number 4

HEADQUARTERS:

Post Office Box 1630
Castle Rock, Colorado 80104 USA
Toll Free: 1-800-441-4748 USA/Canada
Tel: (303) 663-7820 • Fax: (303) 663-7823
www.miningrecord.com • Email: questions@miningrecord.com
Electronic Editorial Submissions: Email: editor@miningrecord.com

Published by: The Mining Record Company - HIE, LLC
©Copyright 2021, All Rights Reserved

Business Hours: Monday - Friday 8:00 a.m. - 5:00 p.m.

Distribution Mail House: Commerce City, CO USA • Publication Printing Facility: Tucson, AZ USA

Products and/or Services advertised in The Mining Record are not endorsed by The Mining Record.

The publisher reserves the right to refuse advertising that is competitive with his publications or which, in the publisher's opinion, does not meet with the format of mining publications.

Postage: Periodicals Postage Paid in Denver, Colorado and additional mailing offices.



The articles published in The Mining Record are obtained from sources considered reliable, but are not to be construed as a solicitation for investment purposes or to buy or sell stock.



The Mining Record is published monthly by Howell International Enterprises, LLC, with Main Office located in Sedalia, Colorado 80135.



Postmaster: Send address changes to The Mining Record, P.O. Box 1630, Castle Rock, CO 80104 USA.

USPS 593360
ISSN No. 0026-5241



While our company does have registered accounts, our users security is top priority. Our Facebook, Twitter, and Associated Instant Apps pages are designed with no interaction allowed at this point. Consumer Protection Agency reported that scams on social media skyrocketed by 150 percent across Facebook, Twitter and Associated Instant Apps. And the number is likely to continue climbing as more cyber crooks see social as a fruitful target. Our users and clients security will not be compromised with these media outlets at this time. Our web security service for www.miningrecord.com site provides our users information for the industry with peace of mind. www.miningrecord.com is universal with complete availability through desktop, laptop and all mobile devices. It will remain our focal form for online media access to our users and clients.



High-Grade Intersections From The Hughes Property

VANCOUVER - Summa Silver Corp. announced additional high-grade silver-gold intersections from the Hughes Property in central Nevada. These results build on previously reported intercepts and demonstrate high-grade continuity along numerous high-priority veins. Results from this batch of assays are from three vein sets in the Belmont Mine target. Rescue Veins in the Belmont Mine Target Area: 2,995 g/t silver equivalent (1,480 g/t Ag and 15.15 g/t Au) over 0.8 m from 378.5 m in SUM20-19; and SUM20-19 is a 50 m step-out from SUM20-06 which intersected 3,760 g/t AgEq (1,762 g/t Ag and 19.99 g/t Au) over 2.5 m and a 50 m step-out from SUM20-20 which intersected 6,220 g/t AgEq (2,910 g/t Ag and 33.1 g/t Au) over 0.7 m. 725 and IOU Veins in the Belmont Mine Target Area: 1,269 g/t silver equivalent (580 g/t Ag and 6.89 g/t Au) over 0.7 m from 156.0 m in SUM20-28 (450 m northwest of the Rescue vein series); and 823 g/t silver equivalent (393 g/t Ag and 4.3 g/t Au) over 0.6 m from 395.8 m in SUM20-23 (250 m north of the Rescue vein series).

The Company is currently conducting a pre-drilling exploration program which includes an airborne LiDAR survey and geological mapping. Soil and induced polarization surveys focused on the eastern extension of the Tonopah District are also scheduled for this spring.

Galen McNamara, CEO, stated: "Multiple vein systems in the historic Belmont Mine continue to return exceptional grades with continuity now shaping up nicely.



ly. With this year's exploration now beginning, our focus will be on both mineral resource style step-outs, and discovery of additional strong mineralization on the eastern extension of what is one of the most heavily endowed silver districts in the United States."

The Phase I drill program in 2020 was designed to test the lateral and vertical extents of structurally controlled, epithermal-related, high-grade silver and gold mineralization historically mined in the Tonopah District. Nineteen holes tested numerous steeply-dipping, west-southwest striking veins and secondary splays in the Belmont Mine target area. At each vein location (e.g., Rescue, IOU and 725), a series of holes tested the along-strike and down-dip extensions of mineralization in approximately 50 m centered piece-points along the vein. In most cases, mineralization consists of locally Ag-sulfate bearing, banded to brecciated

quartz ± adularia veins with associated argillic alteration halos hosted in intermediate to felsic volcanic and volcanoclastic rocks. Vein thickness varied from a few centimeters to a few meters. Assays for 5 holes are reported in Table 1 and results are still pending from 9 holes.

Phase II Program is a significant follow-up drill program is planned and will commence shortly. A drill contractor has been selected and program details will be released once targets are ranked and prioritized.

The company is currently flying a LiDAR (light detection and ranging) survey and are collecting high-resolution ortho-images

over the entire project area. The data will be used to identify areas of historic disturbance potentially related to surface mineralization and to provide robust topographic control for future modelling and ground-based surveys. The company has also initiated a property-scale geological mapping program aimed at refining the geological model for the district. A focus will be on defining the footprint-extent of outcropping hydrothermally altered bedrock as well as mapping along key structures. Systematic rock-chip samples will be collected to aid in advancing the geochemical model for the district as well as defining new drill targets.

Mine Development

Underground Mine Construction

Mine Rehab & Repair



Harrison Western Construction

Experience | Integrity | Performance

Responsible Natural Resources Development™

T 800.638.8793 | www.harrisonwestern.com

ECRS

Engineered Casting Repair Services, Inc

Engineering Affiliate of

METALOCK® CORPORATION

"The Technology Leader in the Crack Repair Industry"

Any Crack...Anywhere...Any Time

Analysis and Repair of Cracked and Eroded Ball and SAG Mill Trunnions, and Heads.

Phone: (225) 791-8900

Fax: (225) 791-8965

email: metalock@eatel.net

You Know It's Cracked - How Do You Fix It?

Tommy Beauf




**LEAVITT
ENGINEERING**

CIVIL & STRUCTURAL ENGINEERING SERVICES
Exceeding Your Expectations With The Highest Quality Designs.
Licensed In All 50 States and Canada

TALK WITH US TODAY
208.436.0333
LeavittEngineers.com
1324 1st Street S. Nampa
ID 83651

- Plant and Facilities Design
- Tank, Bin and Vessel Design
- Civil & Structural Engineering
- Welding Engineering & Inspections
- Access Platform, Stairs, Ladders
- Chemical and Material Handling

**BROWZ
MEMBER**

**U.S. Department of Labor
MSHA**
Mine Safety & Health Administration

Gold Springs Project Six Drill Holes Completed

VANCOUVER, BC - Gold Springs Resource Corp. has completed the first 1,253 metres in 6 holes of the planned 10,000-metre drill program at the Gold Springs project located in the Eastern Great Basin of Nevada and Utah. The objective of the Drill Program is to expand the North and South Jumbo mineral resources and to drill for the first time the new Juniper Target. Thus far 2 holes have been completed on the new Juniper Target, one hole on the southwest extension of the North Jumbo resource area, and three holes on the South Jumbo resource area. Winter-weather conditions during March have slowed the Drill Program, but the South Jumbo area is now clear of snow and mud where the Drill Program is expected to continue.

Visible gold was identified in

the cuttings of drill hole E-21-003 at a down-hole depth of 152 metres within an area of intense silicification. For its entire length of 213 metres, hole E-21-003 displays strong epithermal alteration and micro-brecciation in pervasively silicified and sericite altered volcanic rocks. This type of alteration and ground preparation is seen throughout the resource areas. E-21-003 is designed to expand the South Jumbo mineral resource.

Matias Herrero, President and CEO, said, "We are excited to be drilling once again at Gold Springs. The program is off to a good start with the holes encountering strong alteration similar to that seen within our resource areas. Hole E-21-003 is located in an area of the South Jumbo resource where we have a 250-metre gap in the resource-definition drilling, with only one older hole drilled in that area. The recent CSAMT geophysical-survey data is being very helpful in guiding the Drill Program. We are optimistic for our success to add ounces to the existing resources within the productive Jumbo Trend. We expect to receive the assays for these initial drill holes in late April".

All holes showed thick +30 metre intervals of strong alteration, other than hole JP-21-002 drilled at the Juniper Target. Juniper Target holes JP-21-001 and JP-21-002 were drilled from the same location but with an east and west direction respectively (see map attached) and were located adjacent to historic workings along the southern edge of the CSAMT high-resistivity anomaly. Cuttings from hole JP-21-001 displayed strong silicification and sericite alteration as it passed through the geophysical anomaly. Hole JP-21-002 crossed a fault at shallow depth and entered a down dropped block of post-mineral volcanic flows. GRC has constructed a total of 33 drill pads in the Juniper Target area for future testing.

Hole J-21-001 was located to test the southwest extension of the North Jumbo mineral resource (see map attached) and displayed strong alteration characteristics of the system. Snow and mud at North Jumbo forced the drilling to be moved to South Jumbo where ground conditions were more favorable. All three drill holes completed at South Jumbo, E-21-001, E-21-002 and E-21-003, intersected long intervals of silicification, sericite and brecciation outside of the current resource footprint.

Purchase Agreement On Santo Domingo

VANCOUVER - Wheaton Precious Metals has entered into a definitive precious metal purchase agreement with Capstone Mining Corp. in respect to the Santo Domingo project located in the Atacama Region, Chile. Upon closing, Wheaton International will purchase 100% of the payable gold production until 285 000 oz have been delivered, thereafter dropping to 67% of payable gold production for the life of the mine.

"Santo Domingo is an exceptional project making it an ideal fit for Wheaton's existing high-quality portfolio," said Randy Smallwood, President and CEO.

SLABBER® IS HERE!

THE FIBER GLASS SCALING BAR

- REPLACEABLE POINTS

Hardened Steel

- LIGHTWEIGHT



- CAUTION YELLOW

5 STANDARD LENGTHS

*Your Safety on
the Job Deserves
SLABBER'S Advantages!*

*Over Four
Decades Of Service!*

With maximum strength-minimum weight. Rock Tools SLABBER provides extra muscle for tackling your toughest scaling jobs:

- Scaling of hazardous banks in pit or quarry
- Barring down back, face or ribs in mine or tunnel
- Kiln brick removal
- Furnace build-up removal
- Right-of-way maintenance along railways
- Trenching in underground utility construction

*Contact us for full
details on SLABBER.®*

(801) 328-3733

ROCK TOOLS, INC.

P.O. BOX 58196

SALT LAKE CITY, UT 84158



Approval Received To Drill At Secret Pass Gold Project

VANCOUVER - Northern Lights Resources Corp. has received approval from the US Bureau of Land Management (BLM) to commence drilling at the Secret Pass Gold Project in Mohave County, Arizona. A total of 15 holes, for 2,300 metres, have been approved for drilling at 12 target prospects on the Secret Pass BLM mining claims. The BLM mining claims at Secret Pass have a total area of 656 hectares and account for the majority of the total license area, comprising of the northern section of the project license area as well as the FM zone in the southeast quadrant of the Project area.

The permit to drill an additional 5 holes, for 1,150 metres, at the Tin Cup prospect on the State Exploration Permit area (212 hectares) is pending approval from the Arizona State Land Department. The Company expects to receive the approval to drill the planned holes at Tin Cup soon.

The targeted prospects have been identified by Northern Lights through a systematic exploration program over the past six months that has includ-



ed an airborne magnetic survey, reinterpretation of historic Induced Polarization (IP) data, detailed mapping and the collection of over 400 stream and pan concentrate samples (final assays and interpretation pending).

CEO, Jason Bahnsen, said, "We are delighted to receive permits to commence drilling at the Secret Pass Gold Project. Preparation of drill access roads will begin immediately and our drilling contractor is planning to be on site the beginning of next month. Drilling will initially focus on the Fiery Squid and Tentacles prospects before where we see significant potential associated with numerous historic workings at each of the prospect sites."

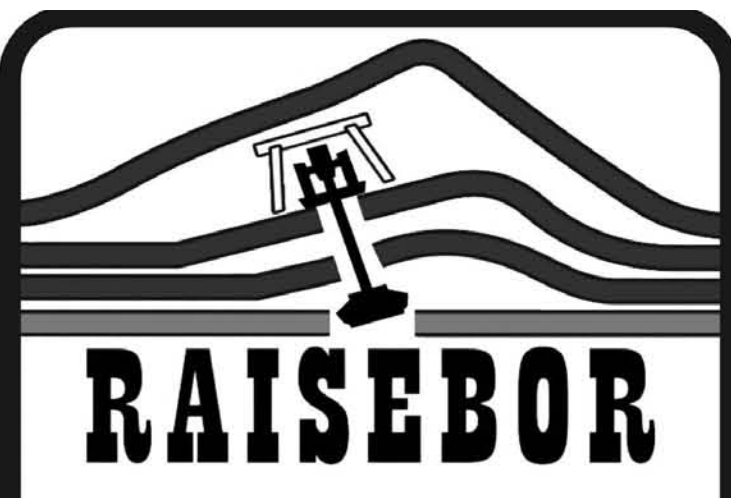
The initial drilling will focus on the Fiery Squid and The Tentacles prospects. Two holes are planned at the Fiery Squid prospect and one hole at the Tentacles prospect. Both prospects have extensive historic underground workings including timber-lined shafts and several adits. A historic grab sample from the dumps adjacent to the shaft at Fiery Squid assayed 6 g/t Au.

The Fiery Squid and Tentacles prospects are located within a zone of intense sericite-quartz-FeOx alteration which trends northwest and covers an area approximately of 1000 x 500 meters. The alteration is associated with a swarm of rhyolite dykes that have intruded older andesite volcanics. The planned holes range in length from 100 to 150 metres and are designed as initial reconnaissance holes to test mineralization associated with the historic workings.

Under the permits granted by the BLM, Northern Lights has the flexibility to drill any of the 22 permitted holes and can maintain a progressive rehabilitation program with up to 350

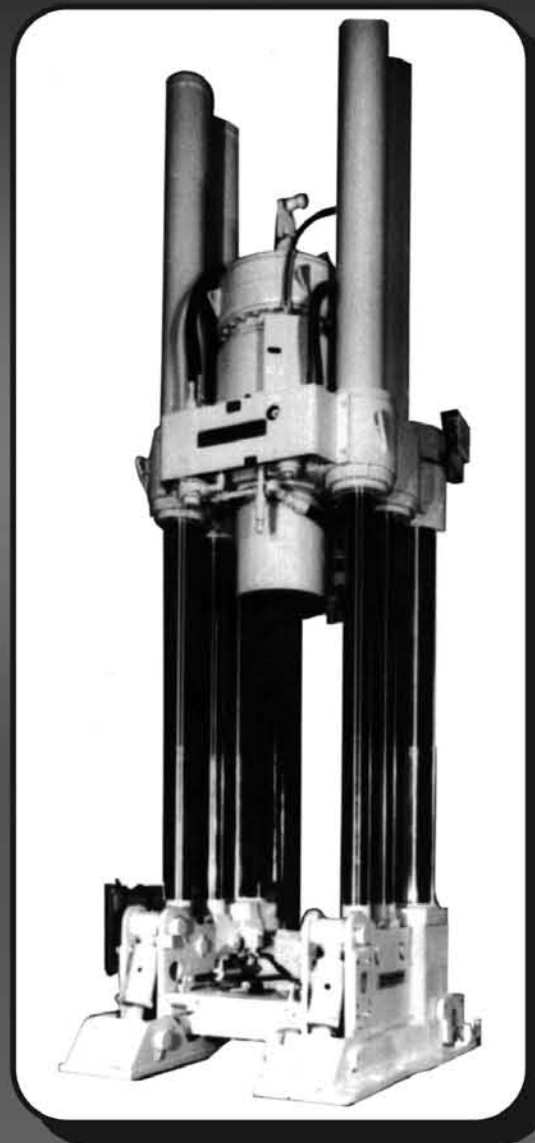
metres of drill holes remaining open at any time during the permit period. The BLM permits are valid for 2 years and can be renewed for a subsequent 2 years with written approval. Subject to the final assay results and interpretation of the

approximately 400 stream sediment and pan concentrate samples that were collected by the Company in Q4 2020, Northern Lights may modify the planned Phase 1 drill plan to include additional prospects on the BLM mining claims.



Contract Raise Boring

Vent Shafts • Penstocks
Ore Passes • Man-Ways
Lined or Unlined



For Information Contact:

Raisebor

(505) 334-8700

Fax: (505) 334-8740

email: mhardwick@raisebor.com

www.raisebor.com

301 Industrial Drive
Birmingham, AL 35211-4443

A Division of Cowin & Company Inc.

National

EXPLORATION - WELLS - PUMPS



DRILLING SERVICES THROUGHOUT
THE WESTERN UNITED STATES

NATIONALEWP.COM | 801.580.5905



**BUILDING
ON STRENGTH**

www.fcx.com



Gold And Silver Intercepts From The Silver Cloud Project

VANCOUVER - Blackrock Silver Corp. reported gold and silver drill intercepts from its 2020 winter drill program on its 100% controlled Silver Cloud project located along the North-

ern Nevada Rift in North Central Nevada. Highlights: At the Northwest Canyon Target drillhole SBR20-007 intersected a significant amount of gold mineralization suggesting the

east-west zone continues but the high-grade portion may be off set along a NNW to NS fault; Drillholes in the NE Veins target were unable to reach the desired lithologies, which aimed to target the volcanic-sediment unconformity, though due to a thicker than modelled volcanic rock package and limited range on the track RC drill, ultimately the Hollister-type target was left untested; and Significant gold mineralization was encountered in the Quiver target which requires and warrants additional follow up drilling.

Twelve reverse circulation drillholes were completed in Blackrock Silver's Silver Cloud project between November 10th and December 19, 2020. A total of 3,774 metres (12,381 feet) was drilled within three main targets on the Company's claim block in the historical Silver Cloud Mercury District. A Boart Longyear track reverse circulation drill rig was utilized. This drill program was designed to test multiple target areas through the 45 square kilometre project including Northwest Canyon, Northeast Veins area that lays directly adjacent to Hecla's Hollister Mine (Ag, Au), and the Quiver area in the northwest portion of the project area. Targets consisted mainly of testing surface exposures of banded chalcidony veins. These veins have never been drill tested before.

The 1650 metre RL (5,500-foot elevation) was the main target horizon because that horizon hosts high-grade ore shoots at the Midas and Hollister mines of which Silver Cloud is on-trend. Other targets were geophysical gravity anomalies that were defined in early 2020.

Andrew Pollard, President & CEO, "The purpose of this pro-

gram was to test primarily new prospective areas throughout this expansive, target-rich property, with the aim to provide us with the crucial data to refine a focused campaign on prioritized areas.

The bulk of this drill program was designed to target the newly delineated NE Veins area of the property that sits directly adjacent to Hecla's Hollister vein system, where 8 veins had been mapped outcropping at surface, atop a large geophysical and geochem anomaly. Drilling revealed the volcanic rock package in this previously undrilled area was significantly thicker than modelled, and due

to the limited range of the track-mounted RC rig, we were unable to hit the targeted structures within the sediment rocks beneath the volcanics. This area remains highly prospective and has yet to be truly tested. At our Quiver target, the Company is extremely encouraged by the wide swaths of good grade gold encountered along the eastern margin of what is projected to be the Silver Cloud graben, that shares many similar structural characteristics of the nearby Midas mine, of which this area lines up directly on trend. The recent discovery announced by Hecla on their Green Racer Sinter."

Maiden Drilling Program At Happy Valley Gold Prospect

VANCOUVER - E79 Resources Corp. reported commencement of its maiden exploration drilling program at the Happy Valley Gold Prospect on the Myrtleford property in Victoria, Australia.

The diamond drilling program is designed to test for down-dip extensions of previously mined high-grade quartz lodes and provide detail on the structural and lithological controls on the mineralization for follow up drilling campaigns.

Rory Quinn, President and Chief Executive Officer, said, "This represents an important milestone in the evolution of the Company from one that has previously been focused on generating high-quality surface gold targets to a Company that is now actively drilling to discover primary hard-rock gold mineralization.

We are excited to have the drill bit turning at Happy Valley. The Company is targeting down-dip extensions of high-grade gold (31g/t Au) historically mined at Happy Valley. This 7-8km trend of intermittent shallow workings has never been systematically explored at depth or along strike. We look forward to communicating early results from this drilling, soon."

Highlights: Drilling currently underway; Initial plan is for 1,000 meters of diamond drilling targeting down-dip extensions of previously mined quartz lodes at the Happy Valley Gold Mine, which historically produced at

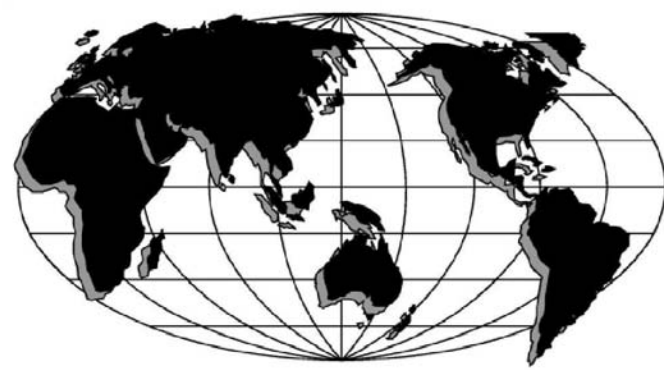
31g/t Au; The majority of historic gold mining operations terminated at the water table, due to limited pumping capacity at the time; and The Happy Valley Mining Centre sits along a multi-kilometer trend which is defined by historic workings and has never seen modern, systematic exploration.

The Happy Valley Prospect is situated in the south eastern portion of the Company's Exploration Licence EL006724 located in Victoria, Australia.

The Happy Valley Mining Centre has documented historic production of 34,200 ounces of gold predominantly during the period 1866 - 1875. Since that time only limited exploration has been conducted, despite the high-grade nature of the mineralization.

Next Steps: All core will be geologically and structurally logged, assessed for hydrothermal alteration and sampled for Au and multi-element geochemistry to aid in defining new target areas; The Company will use the observations from the initial results to develop a comprehensive structural model for the Happy Valley target area; A permit wide review and re-processing of geophysical data from the Myrtleford exploration license has begun to define additional targets; and This interpretation will be integrated with the drilling results to drive further targeting at Happy Valley and across the entire project area.

INDEPENDENT MINING CONSULTANTS, INC.



- Surface and Underground Mine Evaluation
- Exploration Project Development
- Mine Design and Planning
- Production Scheduling and Strategic Planning
- Resource Modeling / Reserve Estimation
- Evaluation of Expansions or Acquisitions

www.imctucson.com

Tel: (520) 294-9861

ARNOLD

MACHINERY COMPANY

Your complete line dealer for Hitachi haulers and excavators.



Mining Branches:
Elko, Nevada (775) 738-4443
Salt Lake City, Utah (801) 821-0548
Tucson, Arizona (520) 294-7677
Phoenix, AZ (602) 414-1900
Gillette, Wyoming (307) 686-7536

arnoldmachinery.com



SILVER SERVICE

ARNOLD MACHINERY COMPANY

The world's largest collection of mining related bronze sculptures

ORIGINAL CREATIONS

ESTABLISHED 1980

We are excited to let you know our website has been revamped.

.....
Original Creations, Inc. is family-owned and operated right here in Helper, UT. Since our company opened in 1980, we've treated every customer like they matter. Other companies may offer similar services, but our services come with a personal touch.
.....

Celebrating
40 Years
in business



Your source for mining gifts, mining related artwork, safety awards, retirement gifts, mine rescue awards, and so much more!



original-creations.com

1310 W. 2060 N. • Helper, UT 84526

Phone: (435) 637-0159 • Email: danny@original-creations.com



Pioneering Mine Closure Project Creates Value While Reducing Environmental Risk At Golden Sunlight Mine

MONTANA – Montana Governor Gianforte, and Barrick Gold Corporation President and CEO, Mark Bristow have met at the closed Golden Sunlight mine in Jefferson County to discuss an innovative project that is expected to create 75 or more jobs and tens of millions of dollars in tax revenue and benefits to the State over the next decade, while removing a source of potential

water pollution from the mine site.

The project involves the reprocessing of ground rock, known as tailings, from which gold was previously extracted in the Golden Sunlight mills. The focus will be on removing and concentrating sulfur (iron pyrite) that will then be sold to and used in gold production by Nevada Gold Mines (NGM), the largest gold producing complex in the

world. Barrick, which owns Golden Sunlight, is also the majority owner and operator of NGM. The concentrated sulfur is not only valuable, but its removal will also eliminate a source of potential groundwater contamination. After reprocessing, the remaining benign material will be backfilled into the Mineral Hill pit.

Governor Gianforte, said: "It's great to see Barrick's Golden Sunlight mine continue to invest in the community of southwest Montana. This is the type of investment that is possible when state agencies provide a stable, predictable regulatory process that companies can rely on - one that benefits the local environment too."

Bristow said, "The groundbreaking project, which combined rehabilitation with value creation, would serve as a model for Barrick's future mine closures. It's very much in line with Barrick's commitment to sustainability as well as our philosophy of sharing the economic benefits generated by our mines with stakeholders. Everyone wins: the local community gets jobs and cleaner water; the state of Montana gets taxes; and Barrick continues to get some revenue from an operation previously judged to be terminal. We look forward to completing the permitting process this fall and shipping the first concentrates as

early as the end of this year."

The Golden Sunlight mine produced more than 3 million ounces of gold during its nearly 40 years of operation. The mine shut down in 2019 when gold production was no longer eco-

nominally viable. Public environmental scoping comments on the project closed on March 12, 2021 and the Montana Department of Environmental Quality is currently completing its environmental review.

Additional Nickel-Copper-PGM Mineralization And Expansion At LM Property

VANCOUVER - Bitterroot Resources Ltd. reported that the sixth hole (LM 21-10) of the 2021 winter drilling program at the LM nickel-copper-PGM project in the Upper Peninsula of Michigan has intersected an estimated true thickness of 2.1 metres of disseminated and blebby sulphide mineralization, with the sulphides consisting of chalcopyrite, pyrrhotite and pyrite. Pentlandite also has been identified within the mineralized intervals, but cannot be reliably estimated at this time. The mineralized core interval consists of 1.38 metres of 9-10% blebby sulphides that are overlain by 0.87 metres of 3% disseminated sulphide mineralization. A 0.19 metre interval of semi-massive sulphides occurs at the basal con-

tact of the intrusion. The mineralization in hole LM 21-10 occurs mainly as chalcopyrite, pentlandite and pyrrhotite blebs and clasts. Assay results are expected in approximately 8-10 weeks.

Hole LM 21-10 intersected the sulphide-bearing mineralized interval some 50 metres laterally from the mineralization intersected in LM 20-01 and 70 metres from the mineralization intersected hole LM 21-07. All three mineralized intervals occur at approximately the same elevation, where the keel of the conduit appears to be sub-horizontal. Hole LM 21-11 is currently underway. It will be the last hole of the winter program, testing an area 50-100 metres from the previously intersected mineralization.

granite
SEED
and erosion control

The largest selection and highest quality native seed in the western United States, custom blended to your projects unique specifications.

Utah 801.768.4422
Colorado 720.496.0600

graniteseed.com

"Building & Operating America's Underground Mines"

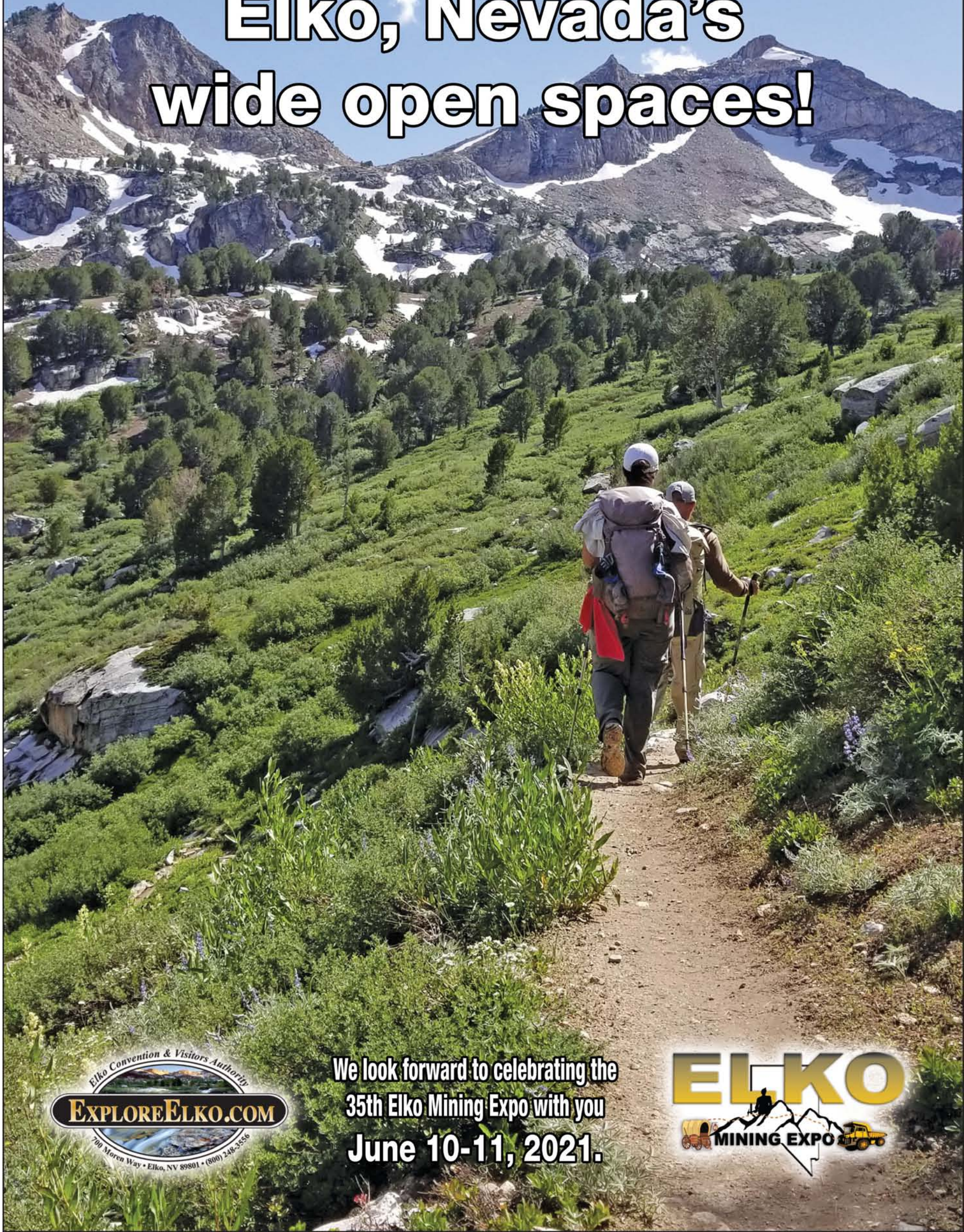


SMALL MINE DEVELOPMENT

— UNDERGROUND —
— MINING CONTRACTORS —

For more information, visit our website at: www.undergroundmining.com
or call 208-338-8880

**When business
brings you to town,
make time to explore
Elko, Nevada's
wide open spaces!**



**We look forward to celebrating the
35th Elko Mining Expo with you
June 10-11, 2021.**





Mother Lode Deposit Central Intrusive Drilling To Enlarge Higher-Grade

VANCOUVER - Corvus Gold Inc. has received additional results from the high-grade Central Intrusive Zone (CIZ) in the central feeder zone target of the at the Mother Lode project.

Hole ML20-162CT drilled through the Main Zone returning typical width and grade (38.3m @ 2.15 g/t gold) and then went through multiple high-grade

zones in the dominantly oxide lower CIZ, returning 34.7m @ 4.24 g/t gold, 35.9m @ 1.77 g/t gold, 24.8m @ 2.47 g/t gold & 8.9 g/t silver, 40.5m @ 1.45 g/t gold.

These multiple high-grade intercepts cover a total of 196.7 metres of down hole length and outline an important gold zone in the central high-grade feeder with

increased potential to continue at depth. As with all intercepts in the deep CIZ oxide target these high-grade zones are related to intrusive dikes and show a strong association with a deeper, hotter gold system.

Hole ML20-161CT was lost in the top of the CIZ due to poor drilling conditions but did intersect the Main Zone (11.0m @

1.15 g/t gold) and the first high-grade zone of the CIZ with 73.2m of 1.58 g/t gold, including 40.7m @ 2.40 g/t gold. Corvus will look to follow this hole up with another core-tail hole to extend the zone at depth in the future.

The central high-grade feeder zone was the site of the original CIZ discover hole (NR20-06,

May 13, 2020, ML20-123CT with 125.5m @ 2.6 g/t gold including 14.8m @ 8.9 g/t gold & 24.7m @ 4.9 g/t gold). The more this deeper part of the Mother Lode deposit is explored, the stronger the association there appears to be with a deep, hot, porphyry related mineralizing environment, which could be an important driver.



Duff Norton Air Motor Jack Co.
SAFETY, STRENGTH, AND SIMPLICITY JUST GOT EASIER.

COMMITMENT TO SAFETY

NEW! DRIVE ASSIST for Bossman

LIFTING SOLUTIONS

BOSSMAN

MADE IN USA

SPECIALTY APPLICATIONS

406-252-4294 P 2111 4TH Avenue N Get a quote online!
406-252-4812 F Billings, MT 59101 duffnortonairmotorjacks.com



THE MINING RECORD PROFESSIONAL DIRECTORY

JL International Sales

Wilson Amplifiers, Cellular Antennas,
Accessories & Pelican Cases
Retail/Wholesale

www.wilsonboosters.ca

Sacrison Engineering
MINING • GEOLOGICAL • HYDROLOGICAL • ENVIRONMENTAL • MAINTENANCE
Construction Management
Project Management
Engineering
320 Poplar Drive
Elko, NV 89801-4508
Phone: 775-777-7455
Fax: 775-549-8949
Cell: 775-397-0963
rsacrison@triflex.net
www.sacrison-engineering.com

INDEPENDENT MINING CONSULTANTS, INC.

Tucson, Arizona
Tel: (520) 294-9861 FAX: (520) 294-9865
imctucson.com

PRE ENGINEERING LIMITED

Website: www.preengineering.com
Tel: (905) 579-9721 Fax: (905) 434-6878

CORRIVEAU J.L. & ASSOC. INC

Land & Mining Surveyors

3D SCANNING & MODELLING BY:
GROUND AND AIRBORNE 3D SCANNING AND MODELING
GYRO AND GPS SERVICES, SALES, RENTALS, UNDERGROUND AND
SURFACE CONTROL, BOUNDARY AND LEGAL SURVEYS, TOPOGRAPHIC
SURVEYS, PHOTOGRAMMETRIC MAPPING AND BOREHOLE
DEVIATION (XYZ) AND BATHYMETRIC SURVEYS

1085 - 3rd Avenue, Val d'Or (Quebec) Canada J9P 1T5 Tel: (819) 825-3702
Fax: (819) 825-2863 email: bureau@corriveaujl.com, website: www.corriveaujl.com

ROCK TOOLS, INC.

P.O. BOX 58196, SALT LAKE CITY, UT 84158, U.S.A.
PHONE (801) 328-3733 FAX (801) 575-7004

TEJADA PHOTOGRAPHY

Specializing in annual report photography
for mining and heavy industrial clients.
Call 303.979.0171

ACZ Laboratories

2773 Downhill Dr
Steamboat Springs, CO 80487
(800) 334-5493 Fax: (970) 879-2216
e-mail sales@acz.com or www.acz.com

**We thrive
on challenges**



golder.com

GOLDER

QSP Packers, LLC

Quality - Service - Price

Toll-Free: 1-888-5Packers
www.QSPPackers.com

GRAYMONT

3950 South 700 East, Suite 301
Salt Lake City, UT, USA 84107
Phone: (801) 716-2634 Fax: (801) 264-8039
www.graymont.com

FIRST Drilling

2112 Wild Wood Way, Elko, NV 89801
Colorado (970) 249 3501
Nevada (775) 777 9420
info.usa@firstdrilling.com
www.firstdrilling.com

GOCHNOUR & ASSOCIATES, INC.
Contact:
Lee "Pat" Gochmour
MINERAL INDUSTRY ENVIRONMENTAL CONSULTANT
P.O. Box 4430
Parker, Colorado 80134
Tel: (720) 851-2900
Fax: (303) 840-9054

Revegetation & Erosion Control



**granite
SEED**
(801) 768-4422
Fax (801) 768-3967
www.graniteseed.com

THE INTERNET CONNECTION DIRECTORY

CONTRACT MINING

Ames Construction
www.amesconstruction.com
info@amesconstruction.com

CONSULTANTS - MINERAL INDUSTRY

Golder Associates
www.golder.com
miningsolutions@golder.com

Independent Mining Consultants
www.imctucson.com
imc@imctucson.com



www.KnightPiesold.com

CRUSHERS - MINING AND AGGREGATE

PR Engineering Ltd.
www.preengineering.com
info@preengineering.com

HEAP LEACH/TAILINGS DAM GEOTECHNICAL/ENVIRONMENTAL

Golder Associates
www.golder.com
miningsolutions@golder.com

HEAVY MINING EQUIPMENT

Wagner Equipment Company
www.wagnerequipment.cat.com

MATERIAL HANDLING SYSTEMS MINE PLANNING • MODELING SOFTWARE

INDEPENDENT MINING CONSULTANTS, INC.

Independent Mining Consultants
www.imctucson.com
imc@imctucson.com

MINING/EXPLORATION COMPANIES

Freeport-McMoRan
www.fcx.com

General Moly
www.generalmoly.com

Newmont Mining Corporation
www.newmont.com

PIPE SYSTEMS

Naylor Pipe Company
www.naylorpipe.com
sales@naylorpipe.com

STEEL FABRICATORS - PIPE

Mill Man Steel, Inc.
www.millmansteel.com
kevin@millmansteel.com

Naylor Pipe Company
www.naylorpipe.com
sales@naylorpipe.com

TUNNELING - RAISEBORING

Cowin & Company, Inc.
www.cowin-co.com
jcowinjr@cowin-co.com

RAISEBOR
www.raisebor.com
rsidwell@raisebor.com

UNDERGROUND CONSTRUCTION AND MAINTENANCE

Harrison Western Construction Corporation
www.harrisonwestern.com
info@harwest.com

USED/NEW HEAVY EQUIPMENT

Arnold Machinery Company
www.arnoldmachinery.com

Cashman Equipment Company
www.cashmanequipment.com

www.miningrecord.com

For your company's listing in the Internet Connection Directory please contact:
The Mining Record at: 800-441-4748 • Ph: 303-663-7820 •
advertising@miningrecord.com
P.O. Box 1630, Castle Rock, Colorado 80104-6130 USA



Update On Drill Program At Rivard Property Southwest Of Newman Todd

VANCOUVER - Trillium Gold Mines Inc. reported an update on the drill program underway on the 100%-owned Rivard property, located at the southwest portion of the Newman Todd project. The Newman Todd Zone (NT Zone) is currently a 2.2 km long and up to 200 metre wide structural target which is situated in the Red Lake Gold Camp. Seven holes have so far been completed for 3,484 metres since the start of the drilling in early 2021.

The drilling on the Rivard property is expected to expand the understanding of the continuity of the high-grade veining both along strike and at depth on Rivard and into the Newman Todd Structure, where previous shallow trenching revealed spectacular visible gold (VG) and the structural influence on higher-grade intersections in the NT Zone.

Three holes tested the southwest extension of the NT Zone while four holes began testing the

lateral and depth continuity of the high-grade veining as seen on surface and in the historical trenches. With the early onset of thawing spring temperatures, combined with a backlog in analyses, results from only two holes have been received to date.

Holes RV21-25 to RV21-27 were drilled in the southeast corner of the Rivard property to test the southwest extents of the NT Zone where it crosses through the corner of the Rivard lease. Breccias of the NT Zone were intersected in both holes with the desired sulphidized and magnetite-bearing sub-units prevalent.

RV21-25 was drilled at the far southwestern extension of the NT Zone but did not hit the NT Zone breccias as historically mapped on surface 200-300m to the northeast. The interpretation is that the NT Zone does not continue to depth in this area or there is a structural offset to the south. The rocks encountered in the hole were mainly massive to weakly foliated felsic tuffs with minor carbonate veining up to 20cm. The best assay was 0.45m @ 2.75 g/t Au.

Hole RV21-26 collared in NT Zone breccia and drilled through

137.8 metres of this with a second NT Zone horizon encountered from 342.6 to 484.7 metres. The upper NT Zone unit was a previously unknown horizon.

Hole RV21-27 was located 50 metres back to obtain a full intersection of this new northern band of the NT Zone. It intersected this horizon from 160.5 metres to 435.4 metres. The southern band was intersected from 459.3 to 481.4 metres. Both NT Zone horizons contained varying sub-units of silicified, sulphidized and magnetite-bearing breccias. Closer inspection of the bottom of RV21-27 revealed sulphidized and brecciated sections in the felsic tuffs warranting continuation of this hole at a later date.

Four holes (RV21-24, RV21-28 to RV21-30) have been completed, testing the orientation and continuity of the high-grade veining in the central portion of the Rivard property. All the holes were designed to test under and along strike of the historical trenching. Lithology units encountered comprised mainly of quartz- and quartz-feldspar porphyry with varying amounts of altered ultramafic rocks. Numerous occurrences of VG have been noted in the logging

with specks and blebs of VG mineralization contained in 0.5 to 5cm quartz veins intruding all lithological units.

Bill Paterson, Head of Exploration, said, "Our first few holes on the Rivard property testing both the southwest extension of the NT Zone and under the historical trenches with the high-grade veining have already been a success. Even with most assays yet to be received, we have seen VG in a number of quartz veins associated with the trenches and have intersected a possible parallel or structural enhancement to the NT Zone in the southwest."

Prior drilling on the NT Zone from 2013 and earlier had mostly focused on testing the Zone by targeting the footwall with drilling toward the southeast, now known to be sub-parallel to gold mineralized veining and structures, potentially missing high-grade intersections or undercutting much of the targeted zone. Newman Todd is a highly prospective target with 41% of the 165 historic drill holes having intervals of greater than 20 g/t gold over various lengths. In addition, nearly all drilling has been conducted to depths of less than 400 metres.

Independence Project Program Next Series Of Drill Results

VANCOUVER - Golden Independence Corp. reported the next series of drill results from its recently completed 2020 resource expansion drill program at the Independence project, south of Battle Mountain, Nevada. Results from these three reverse circulation (RC) holes targeting the main oxide zone include: 1.01 g/t gold and 7.3 g/t silver over 210 feet (64.0 metres) including 1.37 g/t gold and 9.8 g/t silver over 140 feet (42.7 metres), and including 3.29 g/t gold and 21.0 g/t silver over 45 feet (13.7 metres); 0.25 g/t gold and 3.2 g/t silver over 215 feet (65.5 metres), and 0.51 g/t gold and 13.7 g/t silver over 30 feet (9.7 metres); and 0.46 g/t gold and 5.0 g/t silver over 40 feet (12.2 metres).

"These three holes continue to firm up the main oxide zone, and also show indications of additional mineralized zones at downhole depths of 850 to 900 feet (259 to 274 metres), including 0.51 g/t gold and 13.7 g/t silver over 30 feet and 0.46 g/t gold and 5.0 g/t silver over 40 feet," said, President, Tim Henneberry. "The Company will follow up on these deeper initial intersections in the upcoming Phase II program, anticipated to commence in


early Q2."

"Hole AGEI-33 returned 210 feet grading 1.01 g/t gold and 7.3 g/t silver from surface," noted CEO, Christos Doulis. "This hole was drilled in the center of the Independence property and of particular note is the 45 foot interval grading 3.3 gpt gold and 21 gpt silver at the bottom of the hole supporting our model that vertical fracture structures have enriched portions of the near surface oxide material with higher grades."

IP Survey Completed At The Pamlico Project

VANCOUVER - Newrange Gold Corp. reported that the expanded Induced Polarization (IP) survey on the Pamlico Project in Nevada has been completed and interpreted. The new survey comprised 56.35 line kilometers, bringing the total, including the 2019-20 survey, to more than 76.5 line kilometers, covering the entire property. Three large areas of anomalous chargeability were detected, all of which encroached on the property boundary such that the Company has staked additional ground, more than doubling the size of the property. The ultimate size will depend upon an ongoing assessment of the new anomalies and the geological setting and prospectivity of each.

"The new IP survey has been highly successful in not only further defining and extending the known anomalies, but has identified others of potential significance," said, Robert Archer, CEO. "All three anomalous zones, the Northwest, East and Southeast Areas, are 2-3 kilometers in size and each contains more than one discrete zone of high chargeability. Collectively, they reflect a district-scale cluster extending near five kilometers east-west and more than six kilometers north-south."



American Exploration & Mining Association

Save the Dates

December 2021

SU	MO	TU	WE	TH	FR	SA
			1	2	3	4
5	6	7	8	9	10	11
12	13	14	15	16	17	18
19	20	21	22	23	24	25
26	27	28	29	30	31	

American Exploration & Mining Association's 127th Annual Meeting, Exposition, Short Courses and Field Trips

December 5-10, 2021

Nugget Casino Resort Sparks, Nevada, USA

Call for Short Courses & Technical Sessions
 Contact Pat Heywood
pheywood@miningamerica.org

For Exhibit Booth and Core Shack
 Contact Mike Heywood
mheywood@miningamerica.org

Short Courses & Field Trips

December 5, 6 & 7

Technical Sessions

December 8, 9 & 10

Exposition & Core Shack

December 8, 9 & 10



Anomalous Gold Values From First And Second Veins

VANCOUVER - Kingman Minerals Ltd. reported that the receipt of assays for borehole MH-02 which completed at a depth of 806 ft (345.7 m). The hole was angled at -70 degrees to horizontal so that it would pass through the two veins beneath the 250-foot level of the mine workings.

The first intersection was encountered at 272-276 ft (82.9-84.1 m) and assays showed gold values of 3.4 g/t and 85.4 g/t silver over 4 ft (1.2 m) including a 1 ft interval of 8.44 g/t gold and 85.4 g/t silver.

The second intersection occurred at 338-343 ft (103.0-104.5 m) and ran 19.1 g/t gold

and 11.1 g/t silver over 5 ft (1.5 m) including a 1 ft interval at 94.5 g/t gold and 40.2 g/t silver. True width of the first interval is calculated to be 0.8 ft (0.25 m). The true width of the second intercept is 1.0 ft (0.32m). Similar to the other boreholes, MH-02 encountered disseminated sulfides and large intercepts

of hydrothermal alteration along veins, fractures, and regions adjacent to the gold-bearing veins themselves.

"We are excited to see anomalous gold values from both the first and second veins from the MH-02 borehole. The assay values from the first intercept are encouraging as they

show proof of fertile hydrothermal activity along the eastern contact with the assay values from the second intercept being of immensely impressive and unprecedented grade," said, Brad Peek, M.Sc. CPG and Qualified Person for the Mohave Project.

ROCKY MOUNTAIN AIR AND LUBRICATION



Your Authorized Service Center for **ROBINAIR**

RockyMtnAir.com